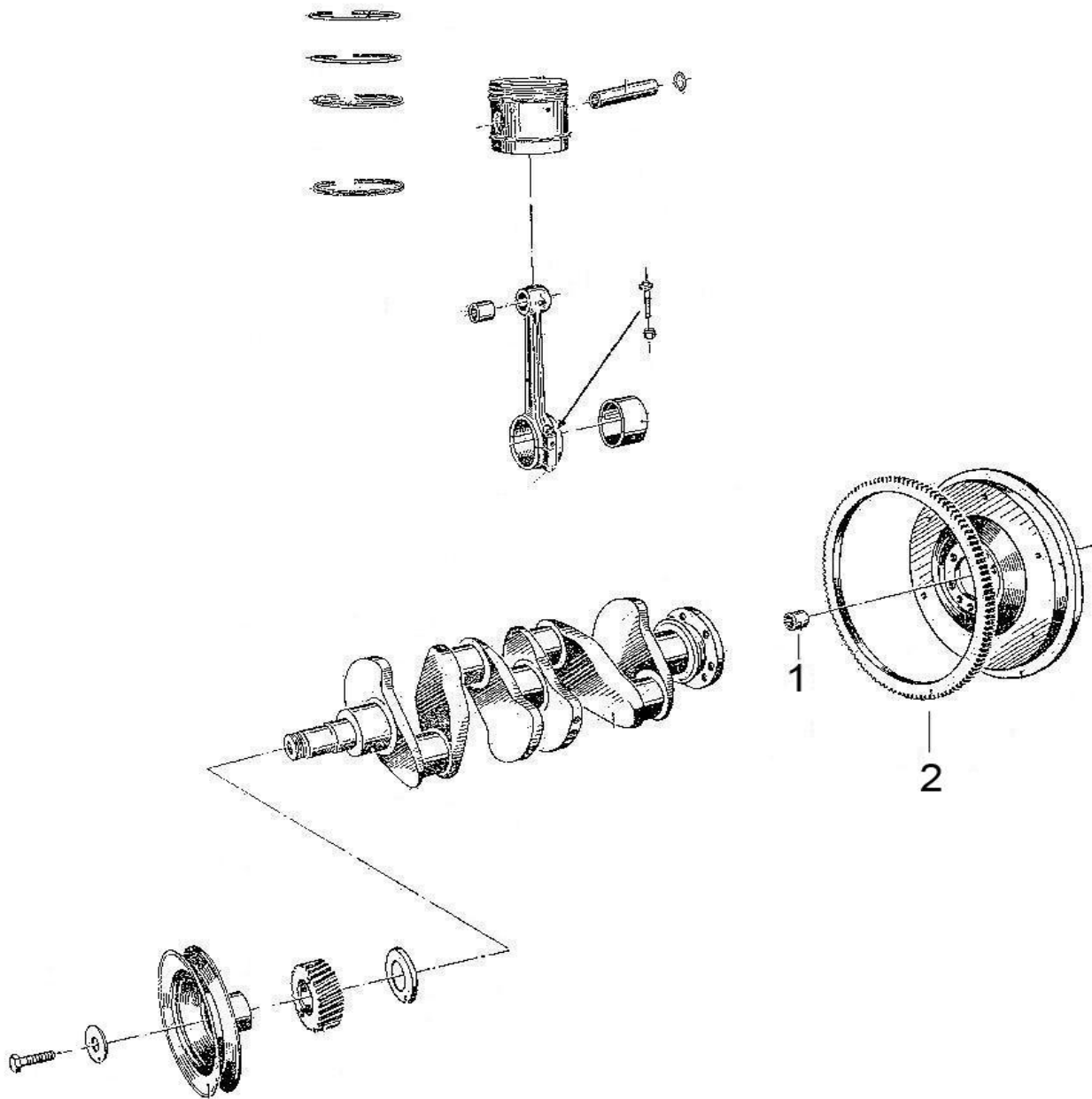


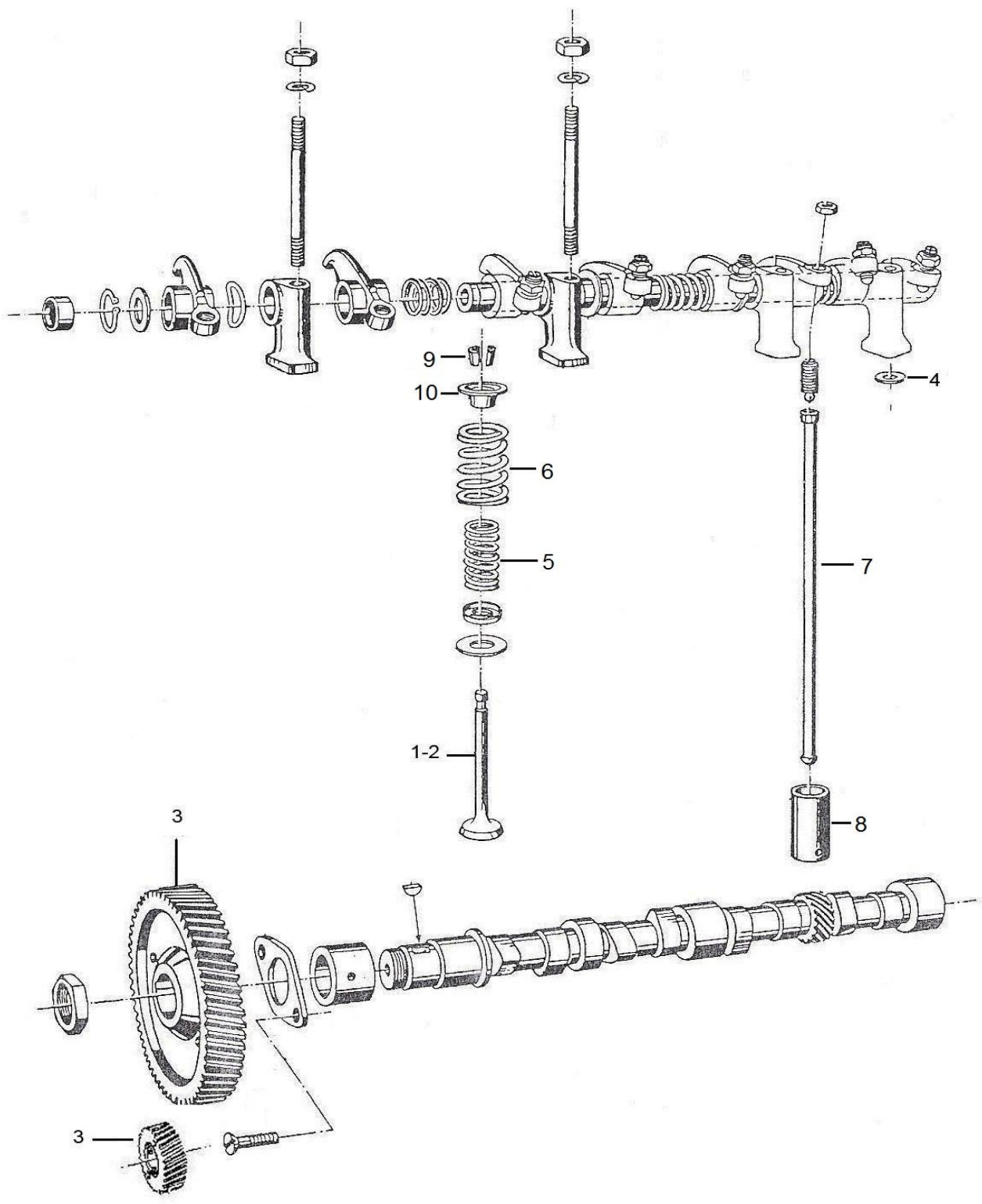
## Engine

Plate Nr.	Part no (ADUS)	Description	Price w`out	List price €	Weight Kg
	<a href="#">1011101</a>	<a href="#">Engine gasket set</a>	115,55 €	137,50 €	0,42
	<a href="#">1011102</a>	<a href="#">Service gasket set, 4pieces (1012102, 1012103, 1012124)</a>	22,69 €	27,00 €	0,06
	1011110	Cylinder head gasket set	83,19 €	99,00 €	0,24
1/1	1011007	Timing cover sedan polished, in exchange	58,82 €	70,00 €	1,30
1/1	1011307	Timing cover coupe polished, in exchange	58,82 €	70,00 €	1,92
2/1	1011103	Felt ring	5,04 €	6,00 €	0,01
3/1	1011203	Radial seal ring for timing cover (for pulley)	7,56 €	9,00 €	0,03
4/1	1011206	Pulley, converted to radial sealing ring, in exchange	37,82 €	45,00 €	1,10
5/1	1011104	Timing cover gasket	5,04 €	6,00 €	0,01
6/1	1011105	Gasket for cover flange (oil gallery)	2,52 €	3,00 €	0,00
7/1	1011106	Gasket oil vapour breather	2,52 €	3,00 €	0,01
8/1	1011107	Rubber seals inside grooves for main cap	2,52 €	3,00 €	0,01
9/1	1011108	Sump flange gasket	15,13 €	18,00 €	0,01
10/1	1012001	Cylinder head, in exchange	831,93 €	990,00 €	
10/1	1012201	Cylinder head tuned in exchange	ab1215 €	ab1500 €	
11/1	<a href="#">1012101</a>	<a href="#">Cylinder head gasket</a>	32,77 €	39,00 €	0,10
12/1	1012102	Gasket for above	12,61 €	15,00 €	0,02
13/1	1012103	Gasket for side cover	5,88 €	7,00 €	0,01
14/1	<a href="#">1011009</a>	<a href="#">Oil pressure switch</a>	10,08 €	12,00 €	0,04
15/1	1011010	Stopper for core holes	2,94 €	3,50 €	0,02
	1012104	Seal between the oil pump and motor housing	1,68 €	2,00 €	0,00
	1012105	Oil pump suction pipe gasket	1,68 €	2,00 €	0,00
	1012106	Seal between the distributor foot and engine block	1,68 €	2,00 €	0,00
	1011001	Renewed engine, complete with agregate in exchange 75 hp starter, generator, carburetor, air filter, manifold, oil filter, distributor, ignition cable set, clutch,months with its own engine after delivery, tested with one year warranty. waterpump, thermostat, fuel pump	3 353 €	3 990 €	
	1011002	Motor without agregate, renewed in exchange 75 hp with one year warranty including flywheel. Detailed description, see website	2 185 €	2 600 €	
16/1	1011013	Oil pump, in excange	126,05 €	150,00 €	1,12
17/1	1011014	Rocker gear cover, polishd 60hp	84,03 €	100,00 €	2,20
18/1	1011015	Rocker gear cover, polishd 75hp	84,03 €	100,00 €	2,20
	1012022	Valve guide	7,56 €	9,00 €	
	1012018	Valve seat in.	9,24 €	11,00 €	
	1012019	Valve seat ex.	8,40 €	10,00 €	



Engine power

Plate Nr.	Part no (ADUS)	Description	Price w'out	List price €	Weight Kg
1/2	1011011	Bush	6,30 €	7,50 €	0,03
2/2	1011012	Starter gear ring	83,61 €	99,50 €	1,20
	1011016	Piston ring set, on request	23,53 €	28,00 €	
	1011017	Piston	84,03 €	100,00 €	

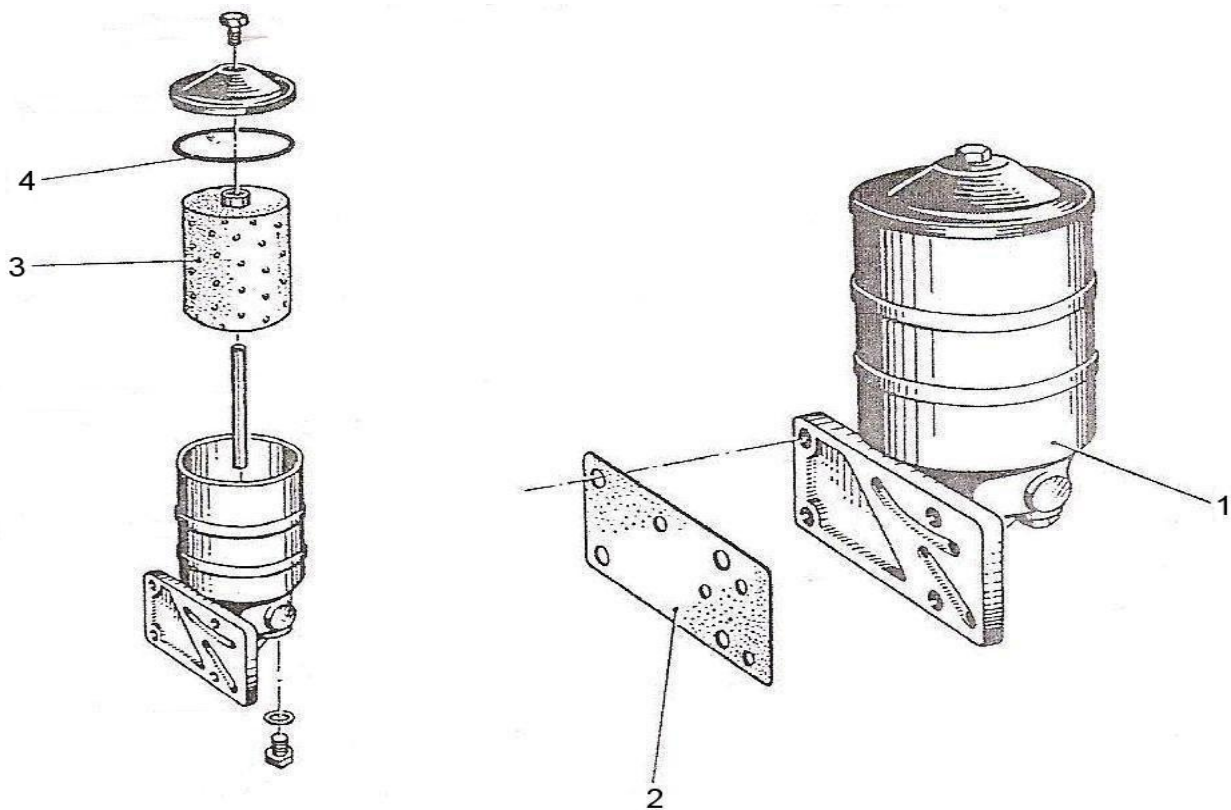


## Control engine

Plate Nr.	Part no (ADUS)	Description	Price w`out	List price €	Weight Kg
1/3	1012204	Intake valve 60PS 111/36 mm	25,21 €	30,00 €	0,08
2/3	1012205	Outlet valve 60PS 112/31 mm	25,21 €	30,00 €	0,08
	1012206	Intake valve 75PS 111/36 mm	25,21 €	30,00 €	0,08
	1012207	Outlet valve 75PS 112/31 mm	25,21 €	30,00 €	0,08
5/3	1012012	Valve spring, inner	4,62 €	5,50 €	
6/3	1012013	Valve spring, outer	4,62 €	5,50 €	
7/3	1012014	Push-rod	12,61 €	15,00 €	
8/3	1012015	Valve Tappet	16,81 €	20,00 €	
9/3	1012016	Valve collet	2,73 €	3,25 €	
10/3	1012017	Valve cup top	3,78 €	4,50 €	
3/3	<a href="#">1011008</a>	<a href="#">Timingwheel (Novotex) camshaft with timing gear crankshaft</a>	133,61 €	159,00 €	0,92
4/3	1012111	Sealing washer pillar	1,68 €	2,00 €	0,00

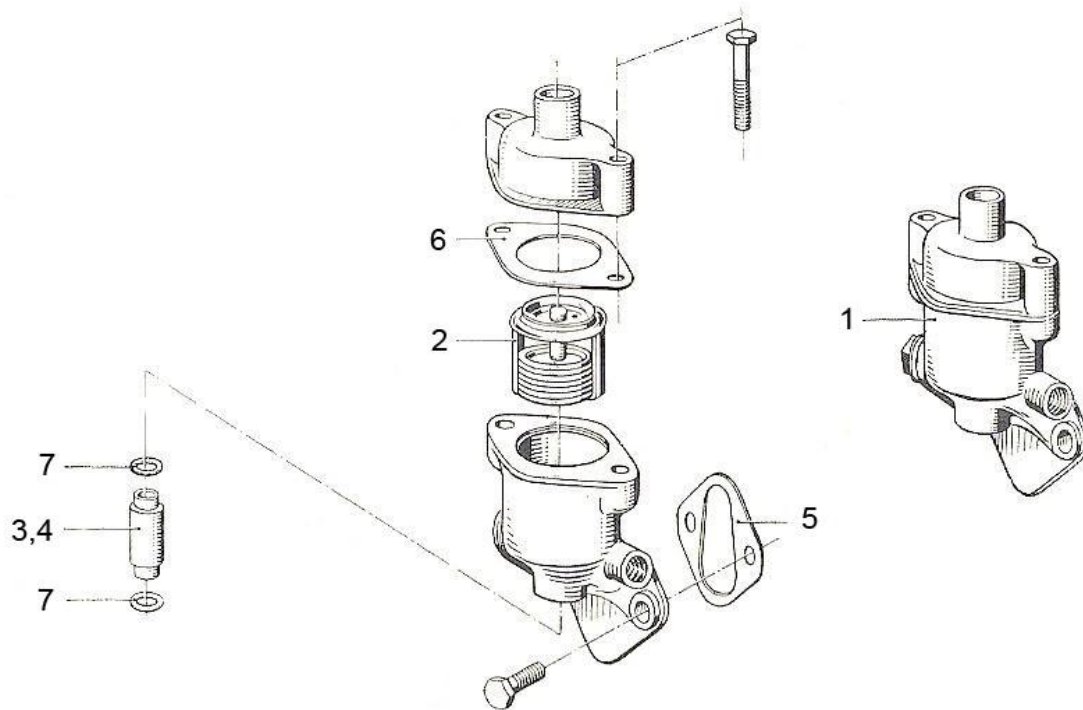
Plate 4.

Oil filter



## Oil filter

Plate Nr.	Part no (ADUS)	Description	Price w`out	List price €	Weight Kg
1/4	<a href="#">1012020</a>	<a href="#">Side flow oil filter polished in exchange</a>	75,63 €	90,00 €	1,64
3/4	<a href="#">1012021</a>	<a href="#">Filter element</a>	10,08 €	12,00 €	0,28
2/4	1012123	Gasket between oil filter and cylinder head	5,88 €	7,00 €	0,00
4/4	1012124	Oil filter cover gasket	2,52 €	3,00 €	0,00
	1012220	Parts for full flow oil filter	54,62 €	65,00 €	0,60
	1012221	Full flow oil filter (filter cartridge)	8,40 €	10,00 €	0,28



Thermostat

Plate Nr.	Part no (ADUS)	Description	Price w'out	List price €	Weight Kg
1/5	1013001	Thermostat complete, housing polished with new element in exchange	58,82 €	70,00 €	
2/5	1013002	Thermostat element 82°C	21,01 €	25,00 €	0,10
2/5	1013011	Thermostat element 75°C	21,01 €	25,00 €	0,10
3/5	1013003	Spacer tube for 60PS, 55mm	6,72 €	8,00 €	0,06
4/5	1013004	Spacer tube for 75PS, 50mm	6,72 €	8,00 €	0,06
5/5	1013101	Gasket between housing and cylinderhead	2,10 €	2,50 €	0,00
6/5	1013102	Gasket between housing and cover	2,10 €	2,50 €	0,00
7/5	1013103	Sealing washer rubber	1,68 €	2,00 €	0,00

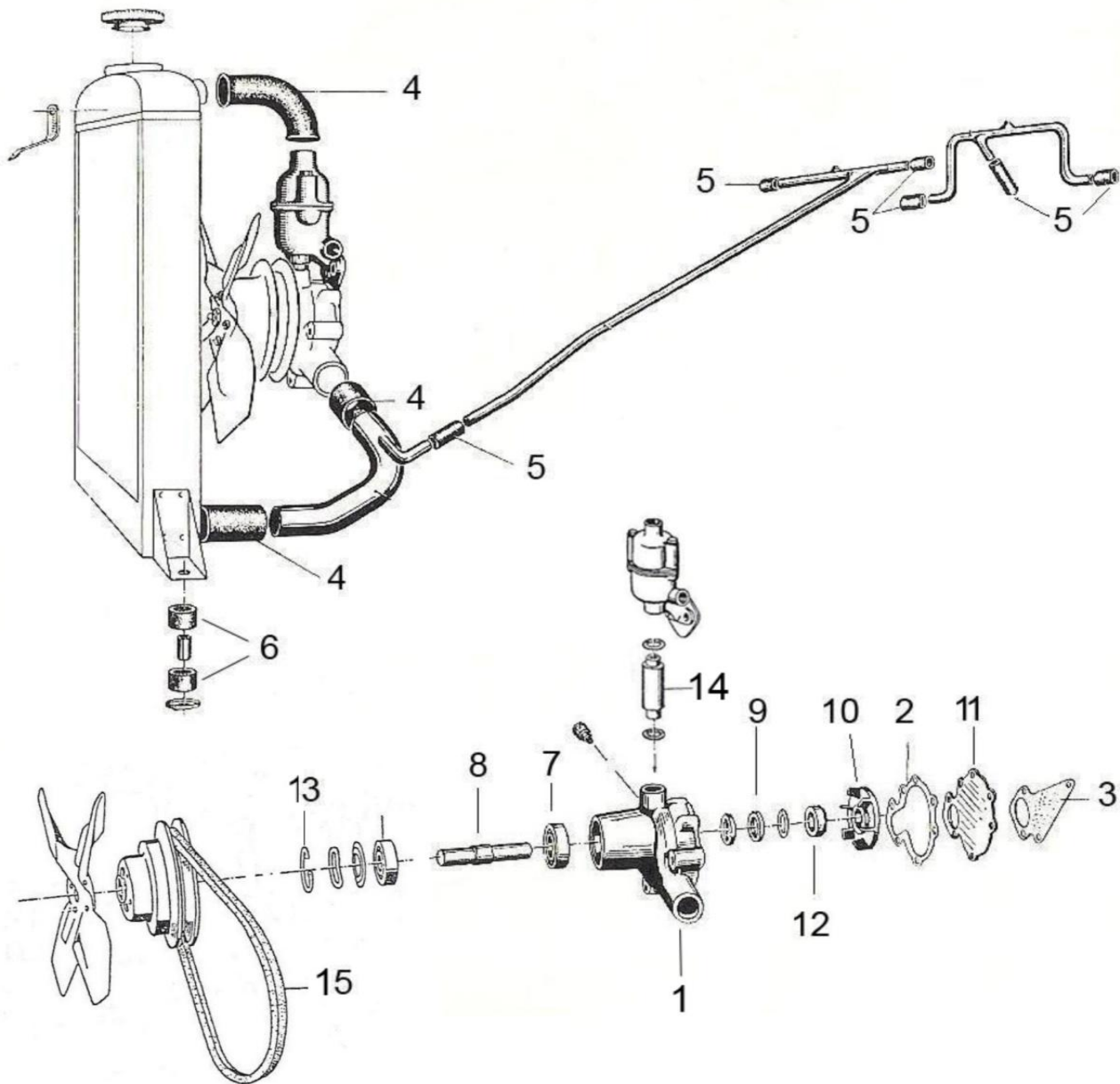
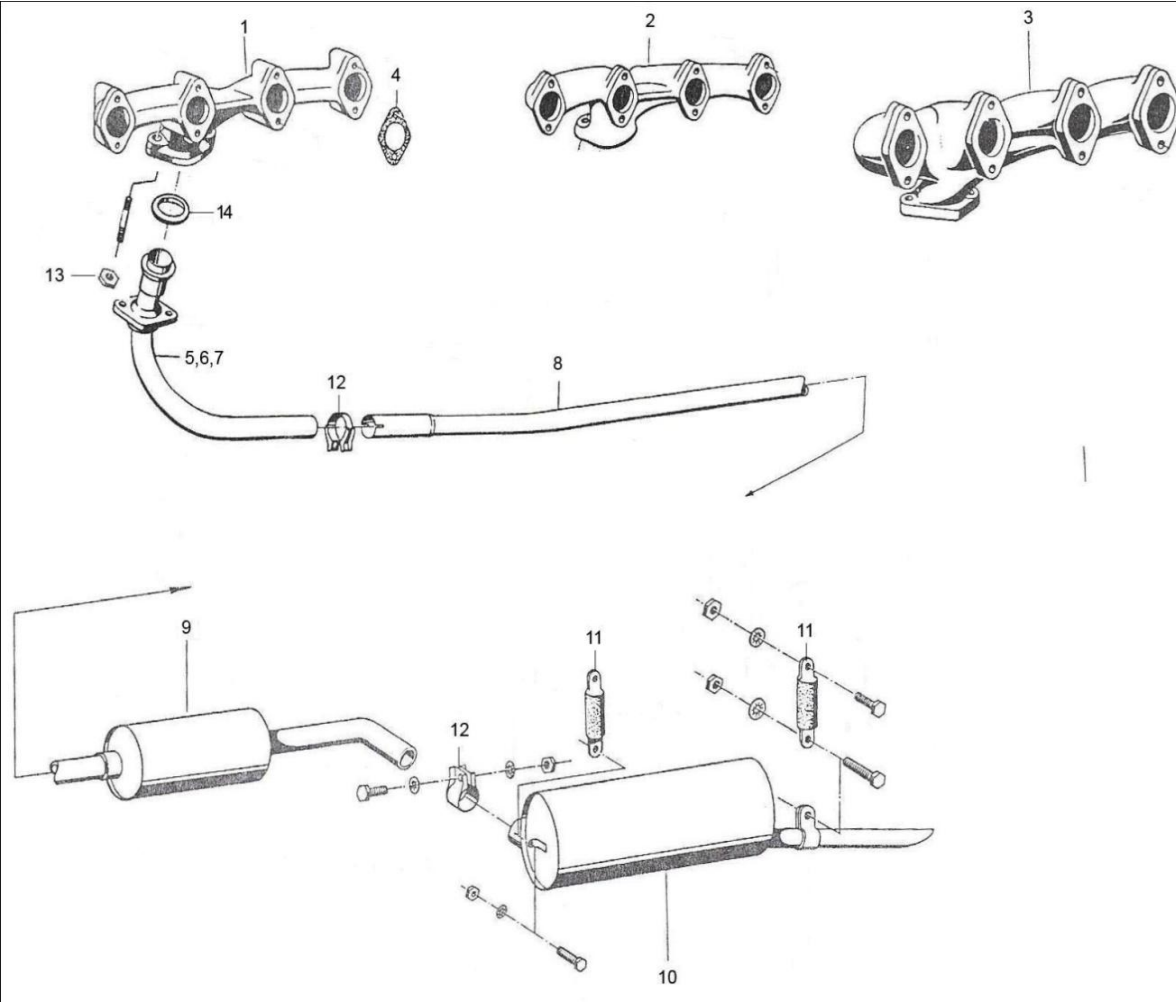


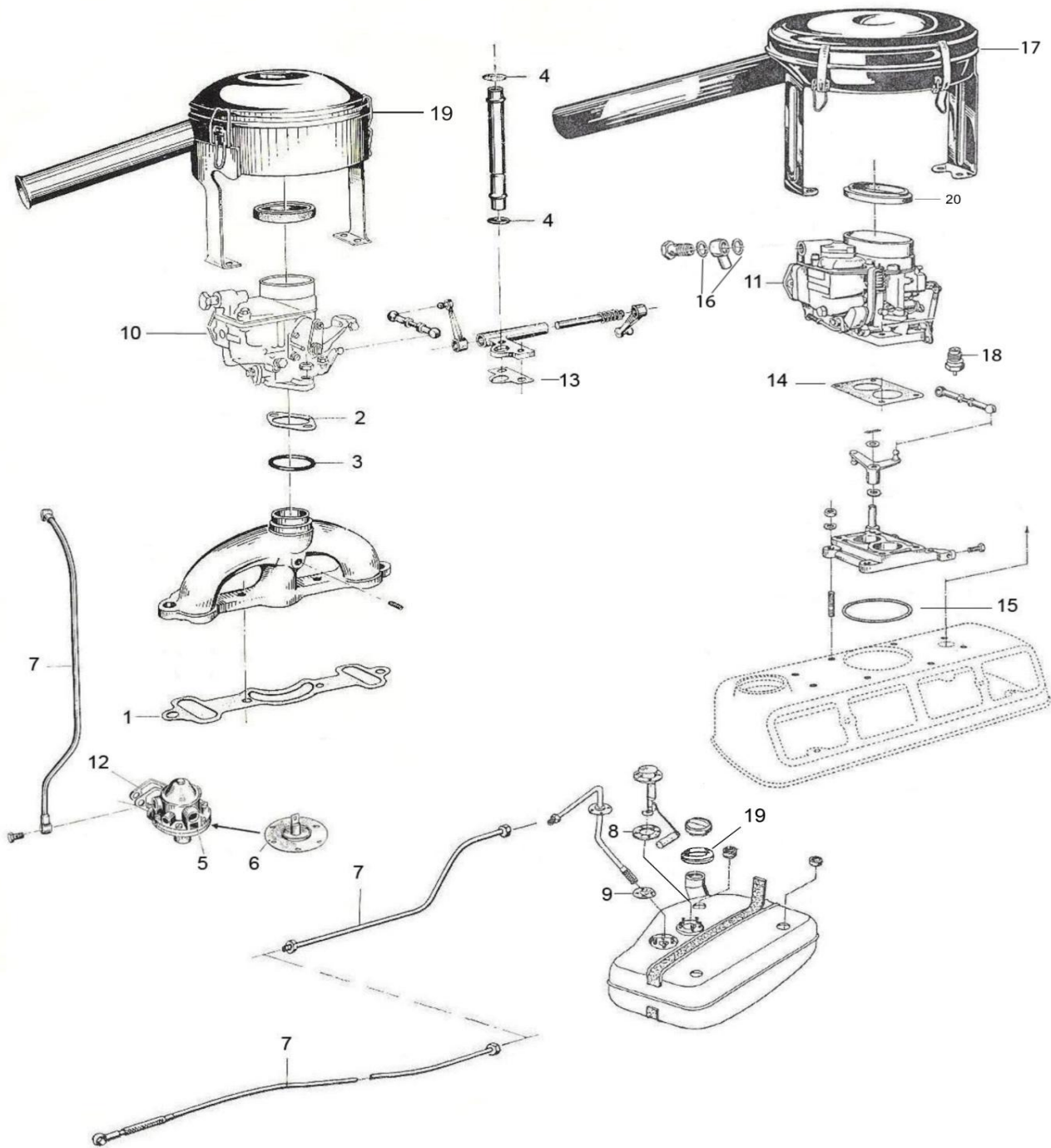
Plate Nr.	Part no (ADUS)	Description	Price w'out	List price €	Weight Kg
1/6	<a href="#">1013005</a>	<a href="#">Waterpump complete in exchange</a>	134,45 €	160,00 €	2,58
2/6	1013104	Gasket for abowe	1,68 €	2,00 €	0,00
3/6	1013105	Gasket between waterpump and block	1,68 €	2,00 €	0,00
4/6	<a href="#">1013006</a>	<a href="#">Rubber hose cooling set 3-piece with 6 clamps</a>	30,25 €	36,00 €	0,36
5/6	<a href="#">1013007</a>	<a href="#">Rubber tubing for the heating rate 6-piece clamps inkl.12</a>	23,53 €	28,00 €	0,28
7/6	1013009	Single row grooved ball bearing	4,20 €	5,00 €	0,09
9/6	1013111	Radial seal ring	3,36 €	4,00 €	0,04
13/6	1013016	Nilos ring circumferencextensioned	2,10 €	2,50 €	0,00
14/6	1013003	Spacer tube for 60PS, 55mm	6,72 €	8,00 €	0,06
14/6	1013004	Spacer tube for 75PS, 50mm	6,72 €	8,00 €	0,06
15/6	1013008	Fan belt	7,56 €	9,00 €	0,08
	1013010	Cooler cap 0,3 Atm	13,87 €	16,50 €	0,08



**Exhaust**

Plate Nr.	Part no (ADUS)	Description	Price w`out	List price €	Weight Kg
1/7	1014001	Exhaust manifold 071 302 5000, restored planned, +4 seals (limited)	84,03 €	100,00 €	2,22
2/7	1014002	Exhaust manifold 103 302 5000, restored planned, +4 seals (limited)	126,05 €	150,00 €	2,22
3/7	1014003	Exhaust manifold 071 302 5001, restored planned, +4 seals (limited)	109,24 €	130,00 €	2,32
4/7	1014101	Gasket in set	8,40 €	10,00 €	0,01
5/7	<a href="#">1014004</a>	<a href="#">Exhaust pipe front to manifold 071 302 5000</a>	50,42 €	60,00 €	1,08
6/7	<a href="#">1014005</a>	<a href="#">Exhaust pipe front to manifold 103 302 5000</a>	50,42 €	60,00 €	1,08
7/7	<a href="#">1014006</a>	<a href="#">Exhaust pipe front to manifold 071 302 5001</a>	50,42 €	60,00 €	1,14
8/7	1014007	Exhaust pipe rear	33,61 €	40,00 €	3,02
9/7	1014008	Pre silencer	63,03 €	75,00 €	2,54
10/7	1014009	Silencer	105,04 €	125,00 €	4,28
	1014209	Silencer with Duplepipe Sport "Abarth"	130,25 €	155,00 €	
11/7	<a href="#">1014010</a>	<a href="#">Exhaust rubber suspension</a>	9,24 €	11,00 €	0,08
12/7	1014011	Silencer clamp	2,52 €	3,00 €	0,12
13/7	1014014	Copperized hex nuts	0,42 €	0,50 €	0,01
14/7	1014015	Seal between front exhaust pipe and exhaust manifold	8,32 €	9,90 €	0,08
	1014012	Exhaust mounting kit(1014101, 1044010, 1014011, 1014014)	37,82 €	45,00 €	0,72
	1014013	<a href="#">Exhaust system, complete (without mounting kit)</a>	231,09 €	275,00 €	10,98
	1014213	Sport Exhaust system, complete	252,10 €	300,00 €	



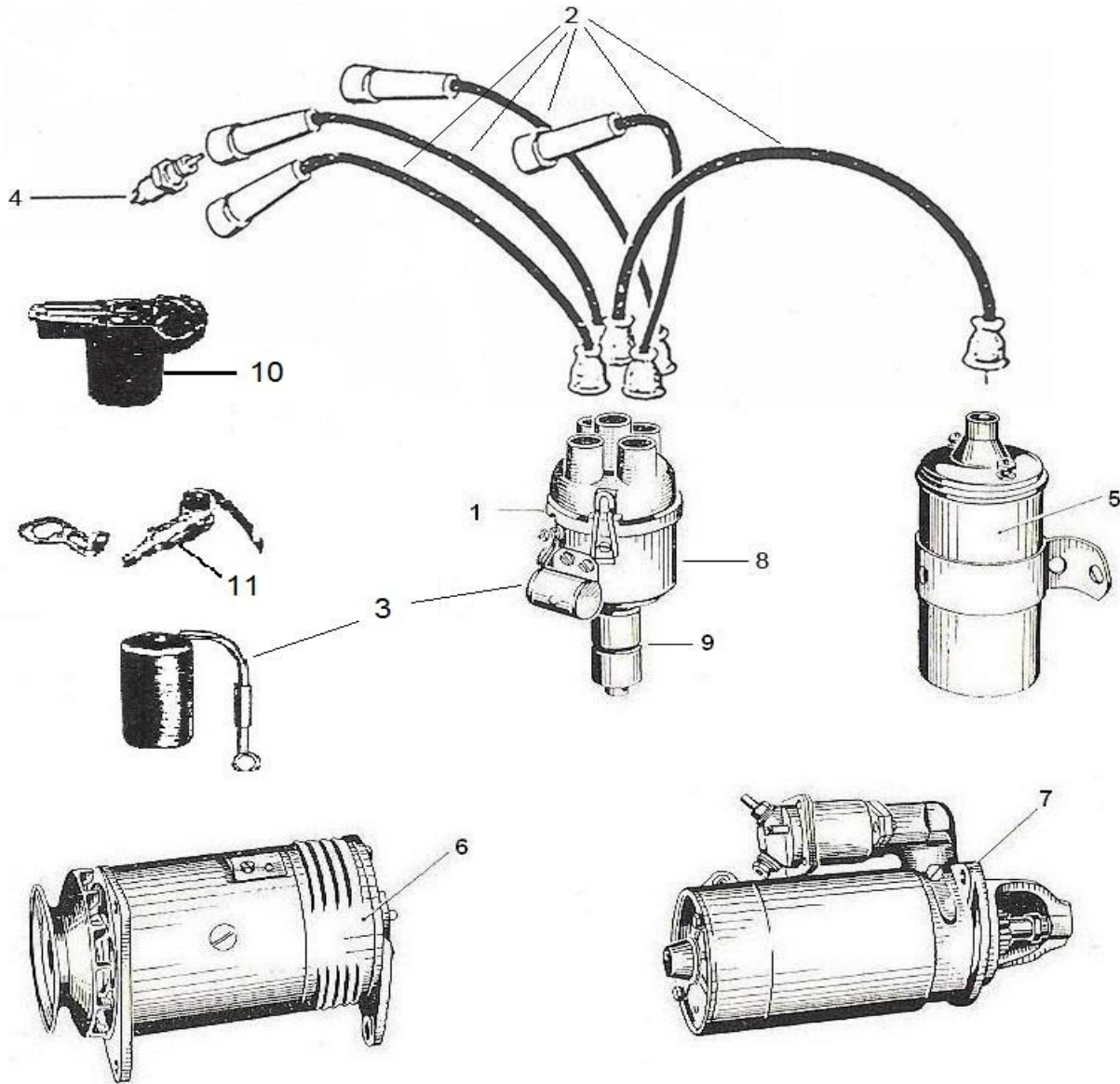


## Fuel system

Plate Nr.	Part no (ADUS)	Description	Price w`out	List price €	Weight Kg
1/8	1015101	Intake manifold gasket	8,40 €	10,00 €	0,19
2/8	1015102	Flange seal 60 HP engine	1,68 €	2,00 €	0,00
3/8	1015103	Sealing ring	1,26 €	1,50 €	0,00
4/8	1015104	Sealing ring	0,84 €	1,00 €	0,00
5/8	<a href="#">1015003</a>	<a href="#">Fuel pump, in exchange</a>	105,04 €	125,00 €	0,90
6/8	<a href="#">1015004</a>	<a href="#">Fuel pump repair kit (with diaphragm shaft, valves, seals 3 piece., Aluminum sealing ring 5 pcs. 12 * 18 * 10 1stk.6, 1pc. 8 * 12)</a>	40,34 €	48,00 €	
7/8	<a href="#">1015005</a>	<a href="#">Fuel line kit</a>	126,05 €	150,00 €	1,04
8/8	<a href="#">1015105</a>	<a href="#">Instrument seal tank</a>	2,10 €	2,50 €	0,01
9/8	<a href="#">1015106</a>	<a href="#">Sampling nozzle seal</a>	2,10 €	2,50 €	0,01
10/8	1015006	Carburetor 32 PICB, in exchange	243,70 €	290,00 €	1,48
11/8	<a href="#">1015007</a>	<a href="#">Carburetor 32 PAITA in exchange</a>	411,76 €	490,00 €	2,70
12/8	1015108	Gasket for pump	1,68 €	2,00 €	0,00
13/8	1015109	Gas control gasket	1,68 €	2,00 €	0,00
14/8	1015110	Carburetor gasket on the flange 75HP engine	3,36 €	4,00 €	0,00
15/8	1015111	Sealing ring	1,68 €	2,00 €	0,00
16/8	1015112	Sealing ring, aluminum, 12 * 18 * 1.5 for the fuel line	1,68 €	2,00 €	0,00
17/8	1015113	Air filter lid sealing ring 75 hp	5,04 €	6,00 €	0,02
17/8	1015114	Air filter lid sealing ring 60 hp	5,04 €	6,00 €	0,02
19/8	1015011	Gumi ring for filler	12,61 €	15,00 €	0,02
20/8	1015012	Rubber sealing ring air filter	15,13 €	18,00 €	

Plate 9.

Electrical equipment (engine)

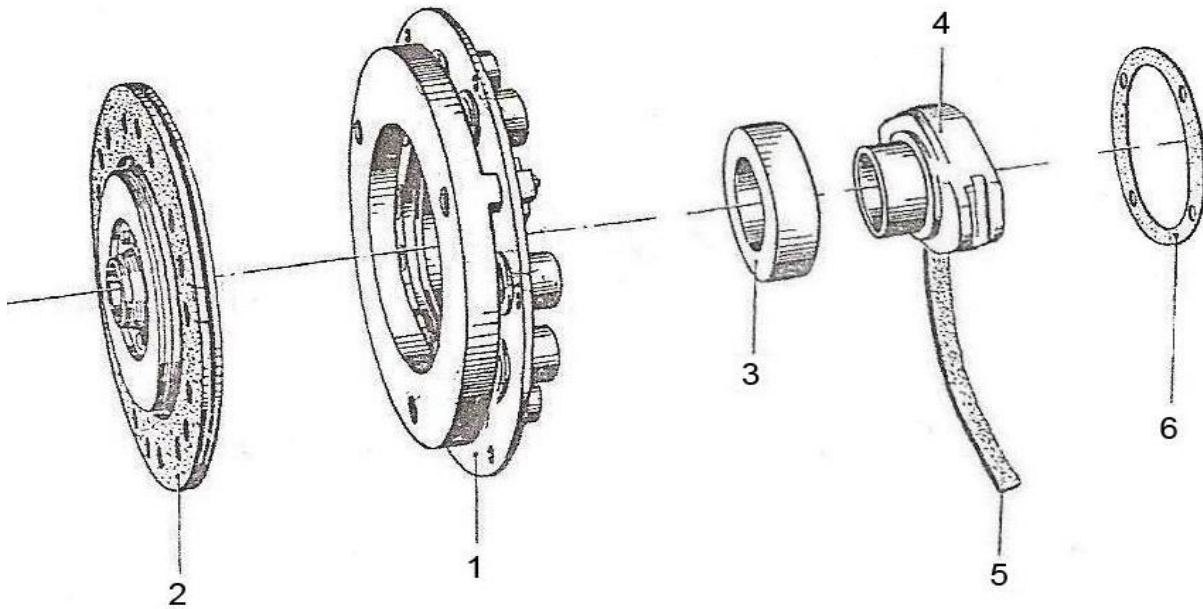


Electrical equipment (engine)

Plate Nr.	Part no (ADUS)	Description	Price w'out	List price €	Weight Kg
1/9	1016001	Distributor cap	12,61 €	15,00 €	0,08
2/9	<a href="#">1016002</a>	<a href="#">Ignition cable set including spark plug</a>	30,67 €	36,50 €	0,18
3/9	1016003	Capacitor	7,56 €	9,00 €	0,02
4/9	1016004	Spark plug 75 hp / 60 hp	3,36 €	4,00 €	0,06
5/9	1016005	Ignition coil 6V	50,42 €	60,00 €	0,68
6/9	<a href="#">1016006</a>	<a href="#">Alternator 6V in exchange</a>	100,84 €	120,00 €	5,58
	1016206	Alternator 12V in exchange (6V as a replacement)	126,05 €	150,00 €	5,80
	1016208	Alternator 12V Generator	159,66 €	190,00 €	5,20
7/9	<a href="#">1016007</a>	<a href="#">Starter 6V in exchange</a>	117,65 €	140,00 €	6,88
11/9	1016008	Breaker contacts	12,61 €	15,00 €	0,01
10/9	1016009	Rotor	8,40 €	10,00 €	0,03
8/9	1016010	Distributor in exchange	105,04 €	125,00 €	0,94
8/9	1016210	Distributor electronic, in exchange	142,86 €	170,00 €	
9/9	1016101	Rubber ring for distributor neck	2,52 €	3,00 €	0,00

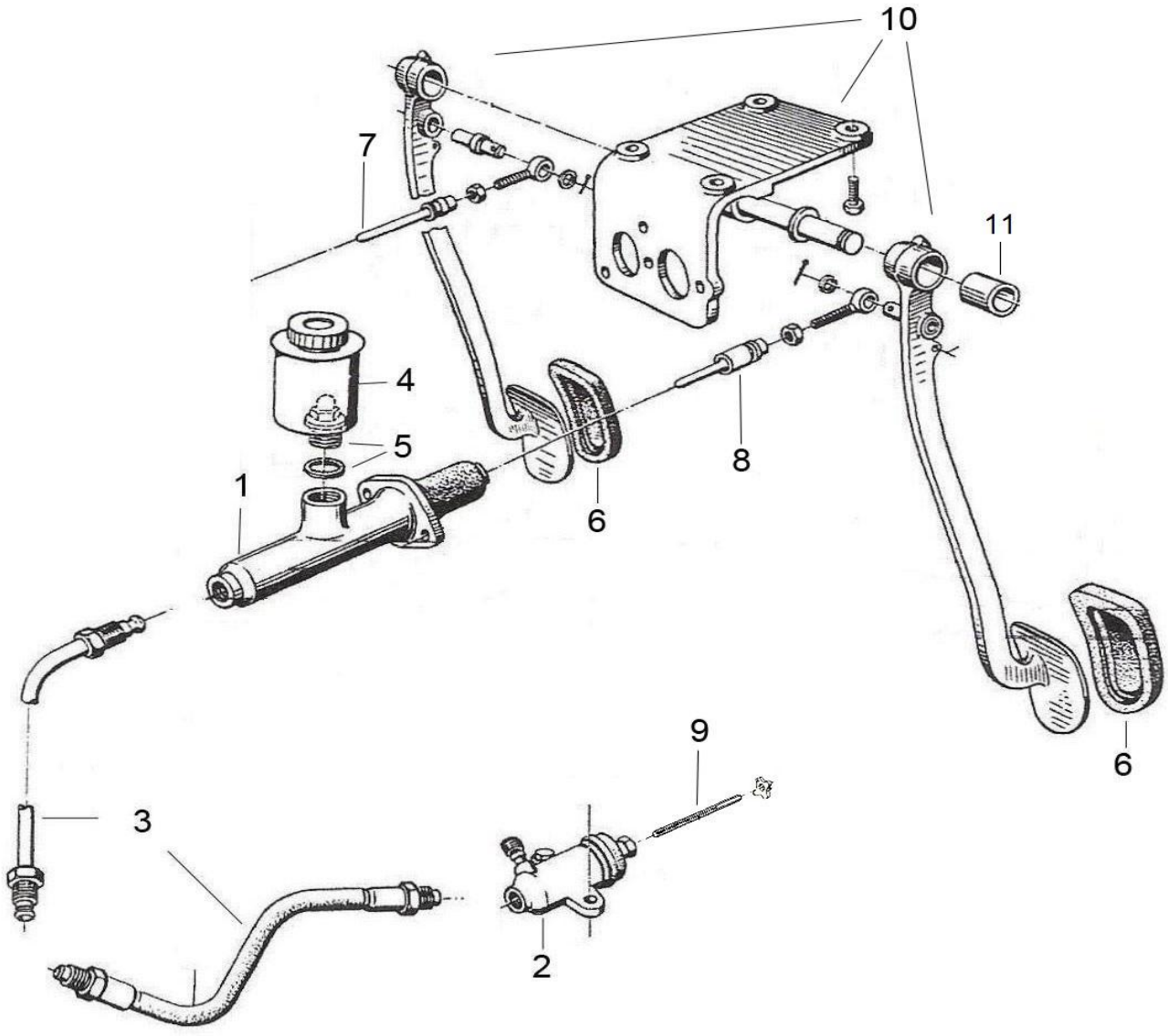
Plate 10.

Clutch



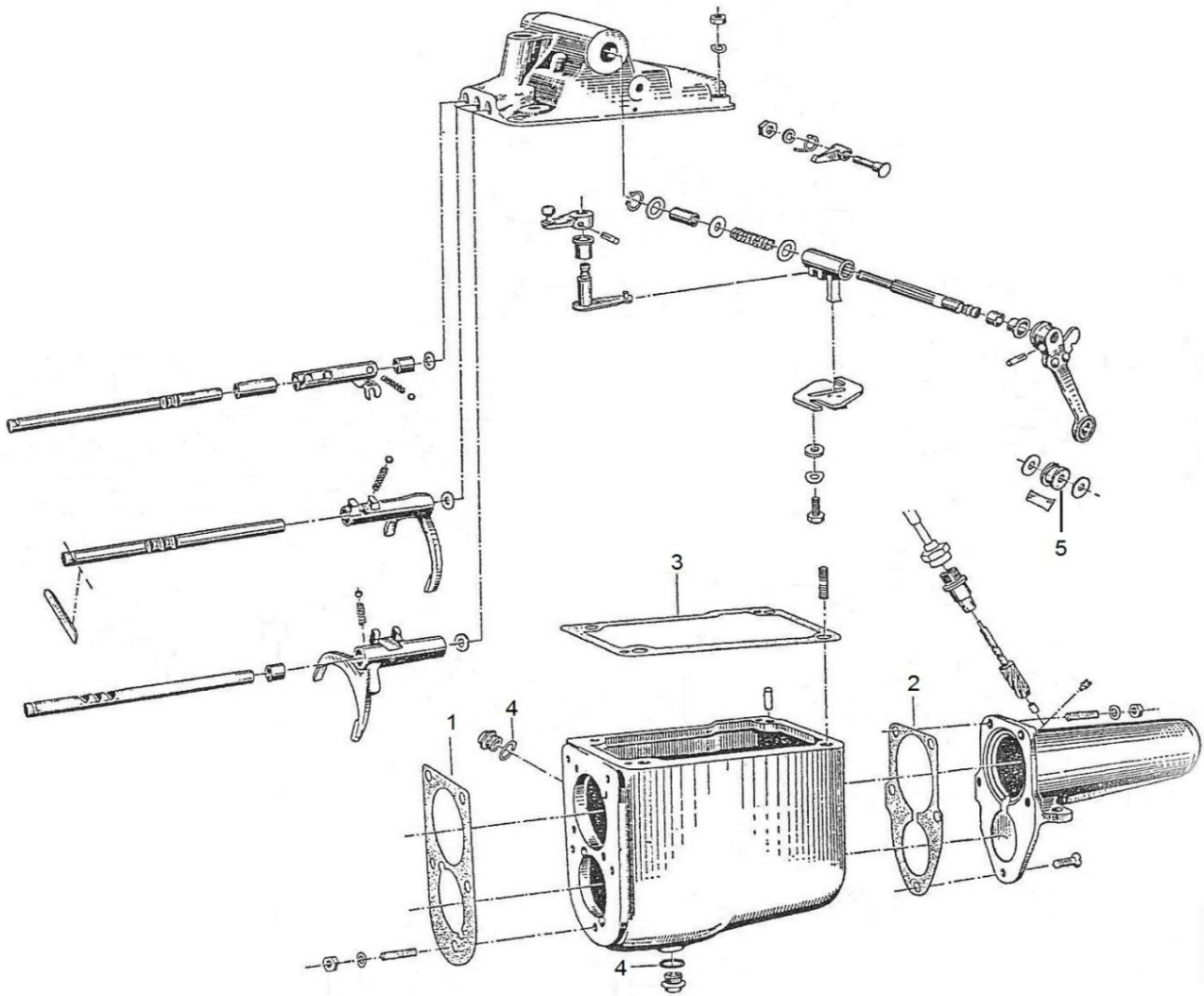
Clutch

Plate Nr.	Part no (ADUS)	Description	Price w`out	List price €	Weight Kg
1/10	<a href="#">1021001</a>	<a href="#">Clutch pressure plate, in exchange</a>	100,84 €	120,00 €	3,74
2/10	<a href="#">1021002</a>	<a href="#">Clutch disc, in exchange</a>	84,03 €	100,00 €	1,32
3/10	<a href="#">1021003</a>	<a href="#">Clutch release bearing</a>	71,43 €	85,00 €	0,36
5/10	1021104	Lubricating felt strip	1,68 €	2,00 €	0,00
	<a href="#">1021107</a>	<a href="#">Release bearings with housing and lubrication (1021003, 1021004, 1021104) in exchange</a>	79,83 €	95,00 €	0,82
6/10	1021105	Seal	1,68 €	2,00 €	0,00
	1021008	Clutch Kit (1021001, 1021002, 1021107)	252,10 €	300,00 €	5,88



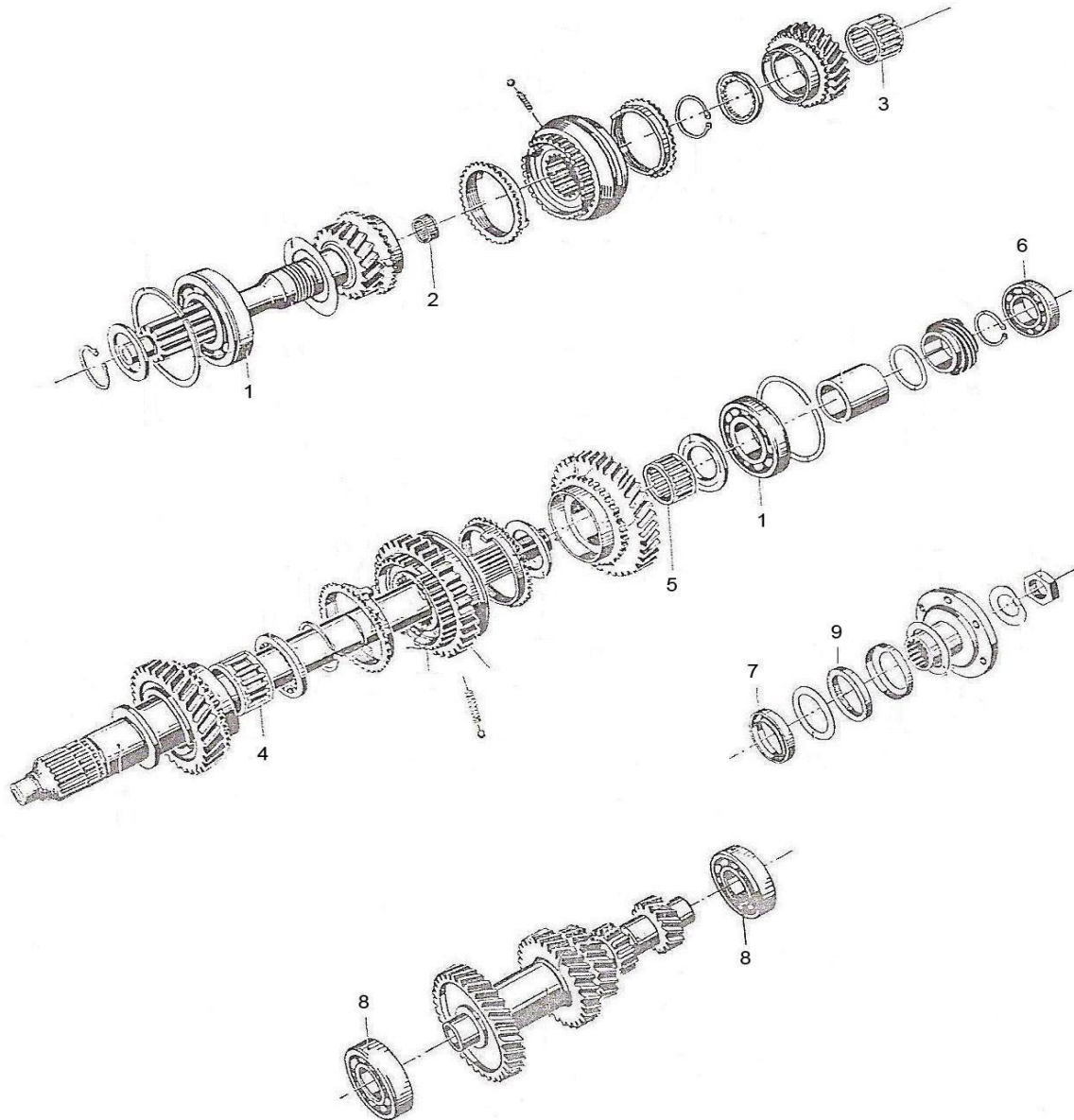
Clutch

Plate Nr.	Part no (ADUS)	Description	Price w'out	List price €	Weight Kg
1/11	1021005	Master clutch cylinder, in exchange	69,75 €	83,00 €	0,58
2/11	1021006	Clutch cylinder in exchange	52,10 €	62,00 €	0,30
3/11	1021007	Connecting tube and pipe for clutch actuation	12,61 €	15,00 €	0,01
4/11	1064004	Aluminum reservoir without lid	33,61 €	40,00 €	0,03
5/11	1064007	Screw-in fittings with sealing ring	16,81 €	20,00 €	0,02
	<a href="#">1021009</a>	<a href="#">Clutch actuation kit (1021005, 1021006, 1021007)</a>	130,25 €	155,00 €	0,96
6/11	<a href="#">1071003</a>	<a href="#">Pedal rubber</a>	10,08 €	12,00 €	0,02
7/11	1021010	Piston rod for brake pedal	16,81 €	20,00 €	0,12
8/11	1021011	Piston rod for clutch pedal	16,81 €	20,00 €	0,10
9/11	1021012	Bolt for clutch cylinder pressure release lever	25,21 €	30,00 €	0,08
10/11	1021013	Pedal bracket restored in exchange	84,03 €	100,00 €	2,80
11/11	1021014	Pedal bracket bush	8,40 €	10,00 €	0,04



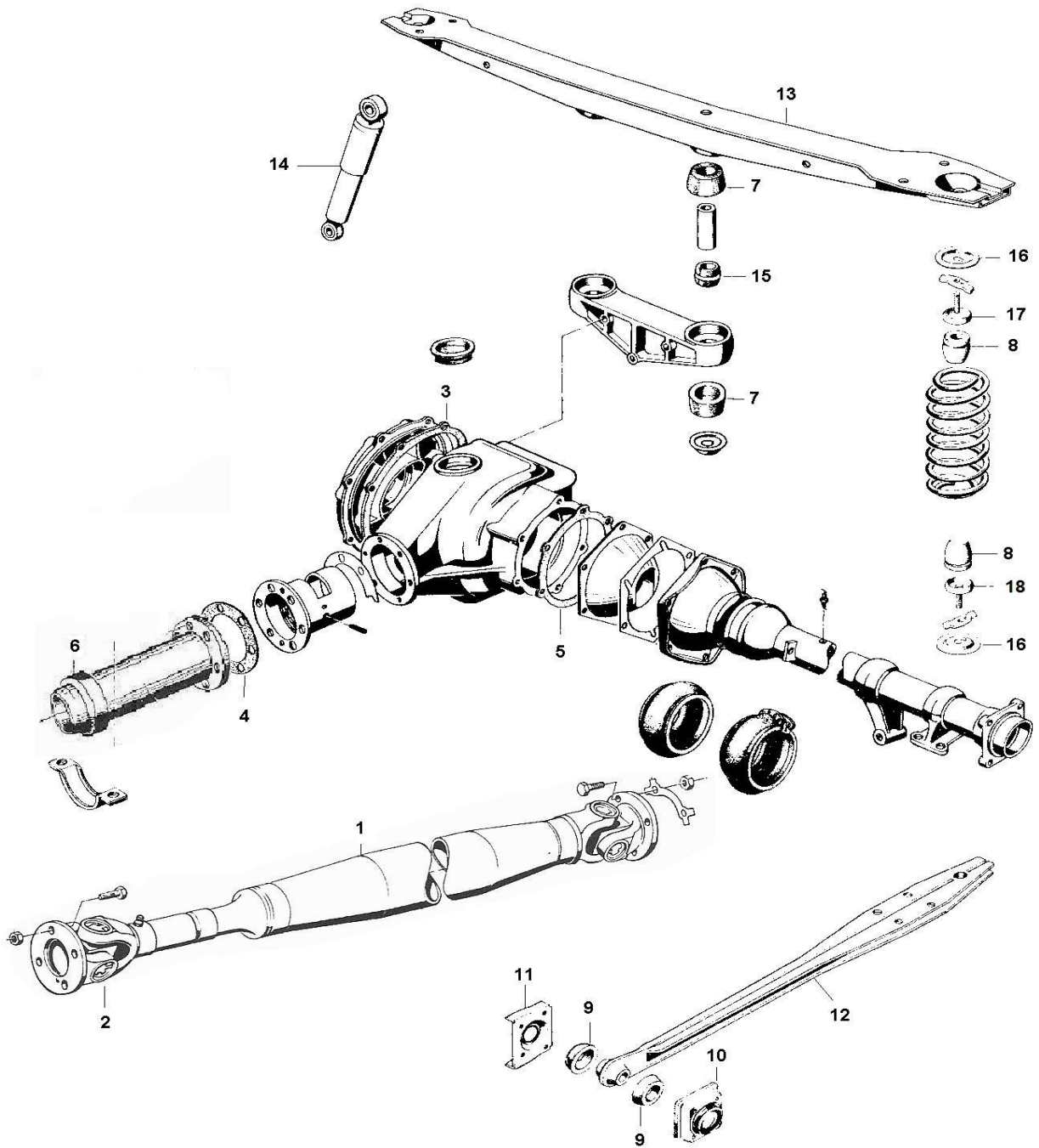
Gearbox

Plate Nr.	Part no (ADUS)	Description	Price w'out	List price €	Weight Kg
	<a href="#">1031101</a>	<a href="#">Gearbox gasket set, complete with Simmering (1021104, 1021105, 1031102, 1031103, 1031104, 1031105, 1031010, 1031007)</a>	21,01 €	25,00 €	0,06
1/12	1031102	Seal	5,04 €	6,00 €	0,00
2/12	1031103	Seal	5,04 €	6,00 €	0,00
3/12	1031104	Seal	5,04 €	6,00 €	0,00
4/12	1031105	Sealing ring	1,26 €	1,50 €	0,00
7/13	1031007	Sealing ring	8,40 €	10,00 €	0,03
5/10	1021104	Lubrication felt	2,52 €	3,00 €	0,02
6/10	1021105	Seal	2,52 €	3,00 €	0,00
9/13	1031010	Felt ring	2,52 €	3,00 €	0,01
5/12	1031012	Washeer, gear level	10,08 €	12,00 €	0,02



**Gearbox**

Plate Nr.	Part no (ADUS)	Description	Price w'out	List price €	Weight Kg
1/13	1031001	Grooved ball bearing 6306	25,21 €	30,00 €	0,36
2/13	1031002	Needle cage 18*24*12	16,81 €	20,00 €	0,01
3/13	1031003	Needle cage 35*40*30	46,22 €	55,00 €	0,04
4/13	1031004	Needle cage 39*44*26	33,61 €	40,00 €	
5/13	1031005	Needle cage 35*40*26	33,61 €	40,00 €	
6/13	1031006	Grooved ball bearing 6205	16,81 €	20,00 €	0,12
7/13	1031007	Sealing ring 33*52*6	6,72 €	8,00 €	0,03
8/13	1031008	Grooved ball bearing 6305	15,97 €	19,00 €	0,22
9/13	1031010	Felt ring	2,52 €	3,00 €	0,01
	1031009	Transmission without light switch and clutch release bearing, renewed, in exchange	588,24 €	700,00 €	
	1031011	Transmission bearing set (1031001, 1031002, 1031003, 1031005, 1031006, 1031008)	210,08 €	250,00 €	0,78



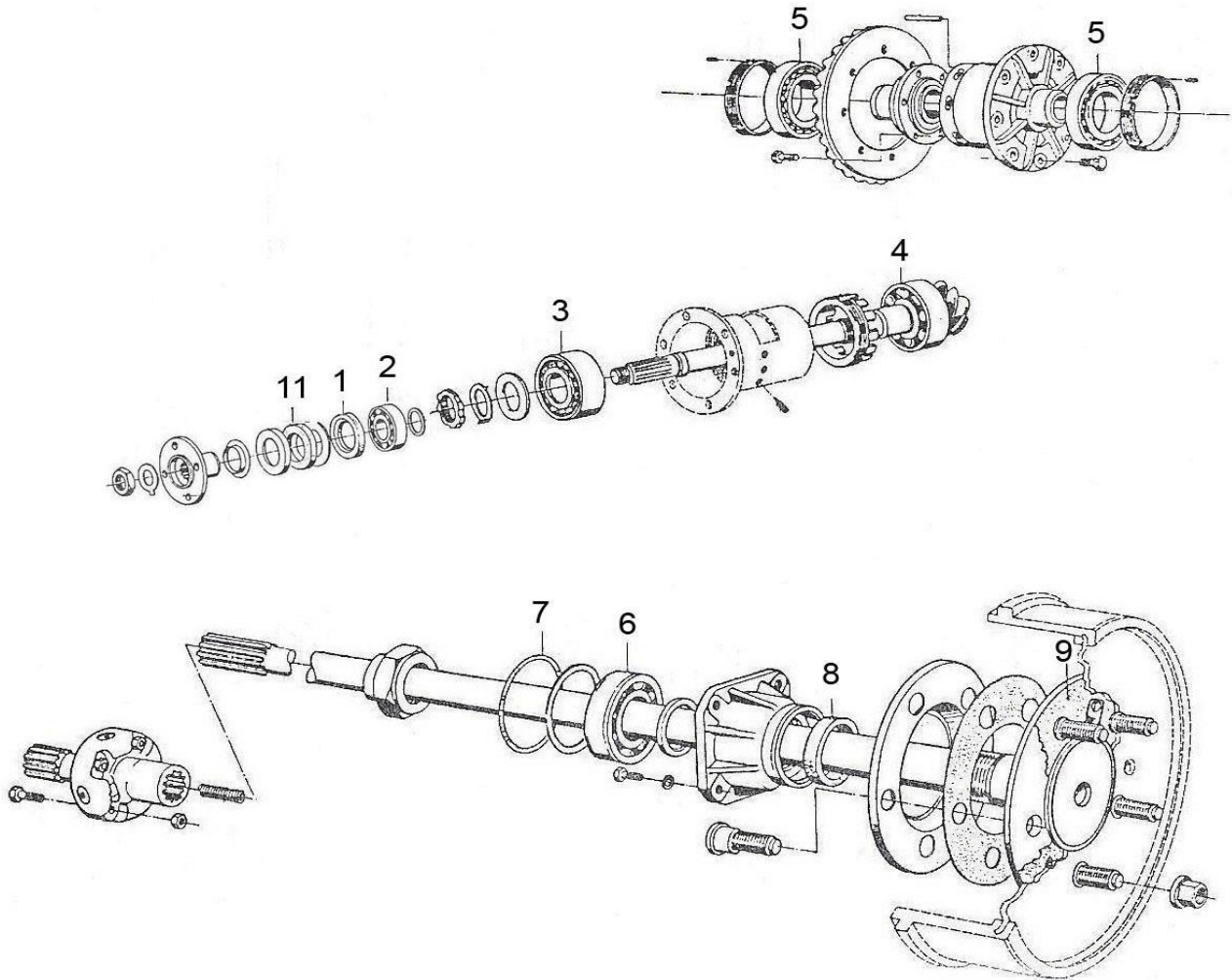


## Rear axle

<b>Plate Nr.</b>	<b>Part no (ADUS)</b>	<b>Description</b>	<b>Price w`out</b>	<b>List price €</b>	<b>Weight Kg</b>
1/14	<a href="#">1041001</a>	<a href="#">Drive shaft in exchange</a>	336,13 €	400,00	8,02
2/14	1041002	Universal joint	46,22 €	55,00 €	0,42
	<a href="#">1042101</a>	<a href="#">Rear axle seal kit (1042102, 1042103, 1042104, 1042105, 1042106, 1042107, 1042108, 1042109, 1031010)</a>	29,41 €	35,00 €	0,12
3/14	1042102	Rear axle housing seal	4,20 €	5,00 €	0,00
4/14	1042103	Seal	4,20 €	5,00 €	0,00
5/14	1042104	Seal	4,20 €	5,00 €	0,00
6/14	1042001	Rubber ring, housing neck	16,81 €	20,00 €	0,28
7/14	1043001	Rubber buffer	10,08 €	12,00 €	0,04
8/14	1043003	Rubber buffer	9,24 €	11,00 €	0,14
9/14	1043004	Rubber ring bearing shell	11,76 €	14,00 €	0,02
10/14	<a href="#">1043005</a>	<a href="#">Retainer bearing for radius arm</a>	25,21 €	30,00 €	0,20
11/14	<a href="#">1043006</a>	<a href="#">Sub-plate for radius arm</a>	25,21 €	30,00 €	0,30
12/14	<a href="#">1043007</a>	<a href="#">Radius arm</a>	58,82 €	70,00 €	1,62
13/14	<a href="#">1043008</a>	<a href="#">Support beam suspension</a>	75,63 €	90,00 €	
14/14	1043009	Shockabsorber rear	58,82 €	70,00 €	0,94
15/14	1043010	Rubber buffer	6,72 €	8,00 €	0,02
16/14	1043011	Sprig cup	16,81 €	20,00 €	
17/14	1043012	Cup for rubber buffer	12,61 €	15,00 €	0,14
18/14	1043016	Cup for rubber buffer	12,61 €	15,00 €	0,16
	<a href="#">1043013</a>	<a href="#">Rubber parts rear axle (1042001, 1043001, 1043003, 1043004, 1043010, 1065003)</a>	159,66 €	190,00 €	1,24
	1043014	Rear axle, complete in exchange	1 807 €	2 150 €	
	1043015	Differential, complete, in exchange	588,24 €	700,00 €	27,56
	1043017	Securing propeller shaft	10,08 €	12,00 €	0,08

Plate 15.

Rear axle

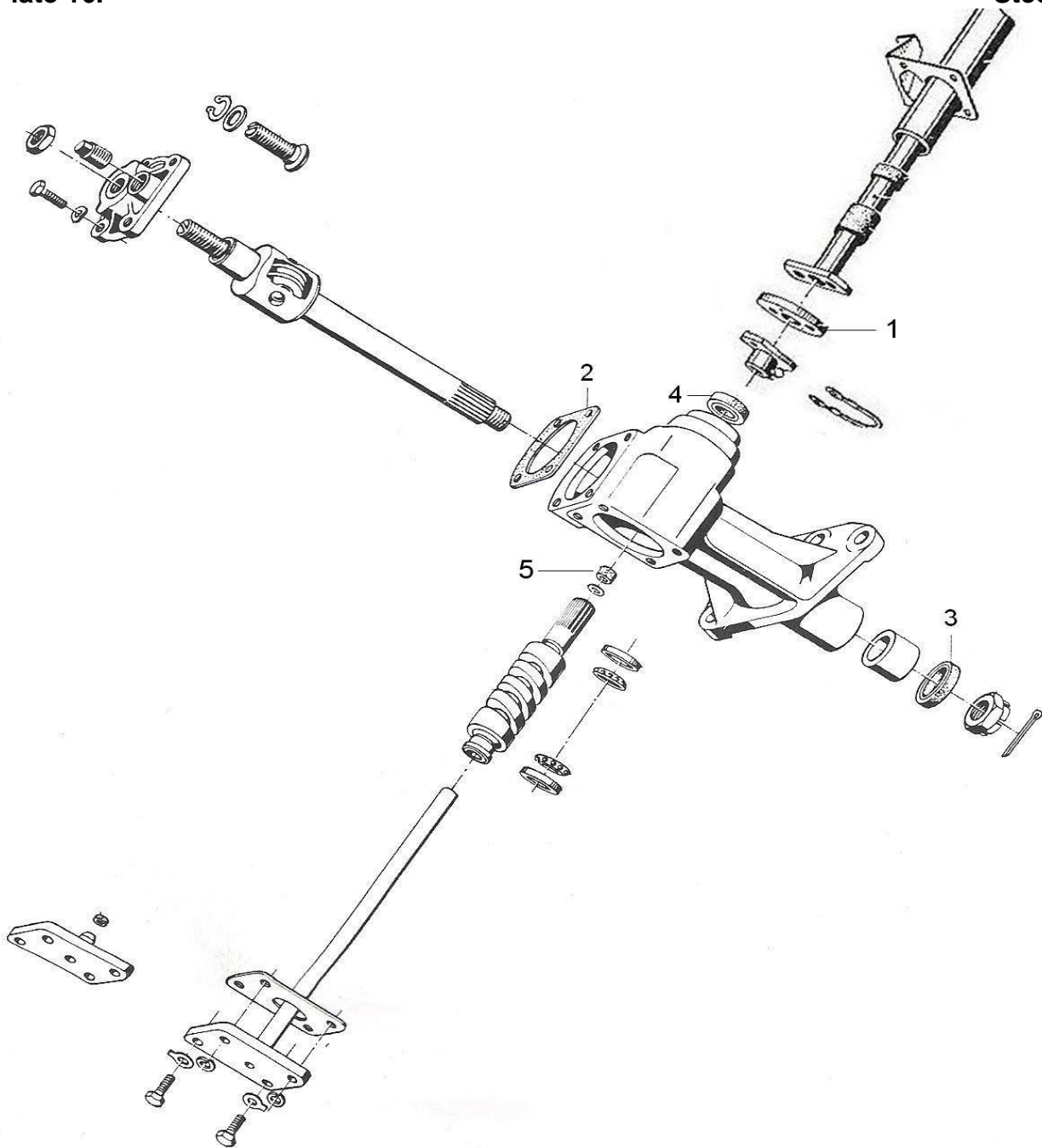


Rear axle

Plate Nr.	Part no (ADUS)	Description	Price w'out	List price €	Weight Kg
1/15	1031007	Radial sealing ring 33*52*6	6,72 €	8,00 €	0,01
2/15	1042002	Ring-groove bearings 6205	12,18 €	14,50 €	0,14
3/15	1042003	Ring-cone bearing 30306	29,41 €	35,00 €	0,38
4/15	1042004	Ring-cone bearing 6-7807	21,01 €	25,00 €	0,38
5/15	1042005	Ring-cone bearing 30210	32,77 €	39,00 €	0,56
6/15	1042006	Groove bearing 6207	15,97 €	19,00 €	0,30
7/15	1042106	Sealing ring, 69*3,5	3,36 €	4,00 €	0,00
8/15	1042110	Radial sealing ring 38*65*10 up to serial no. 734146	6,72 €	8,00 €	0,02
8/15	1042107	Radial sealing ring 44*65*10 from serial no. 734147	6,72 €	8,00 €	0,02
9/15	1042109	Seal between rear wheel hub and brake drum	2,52 €	3,00 €	0,00
11/15	1031010	Felt ring	2,52 €	3,00 €	0,00
	1042011	Bearings rear axle (1042105, 1042002, 1042003, 1042005, 1042006, 1042106, 1042107)	184,87 €	220,00 €	2,58

Plate 16.

Steering

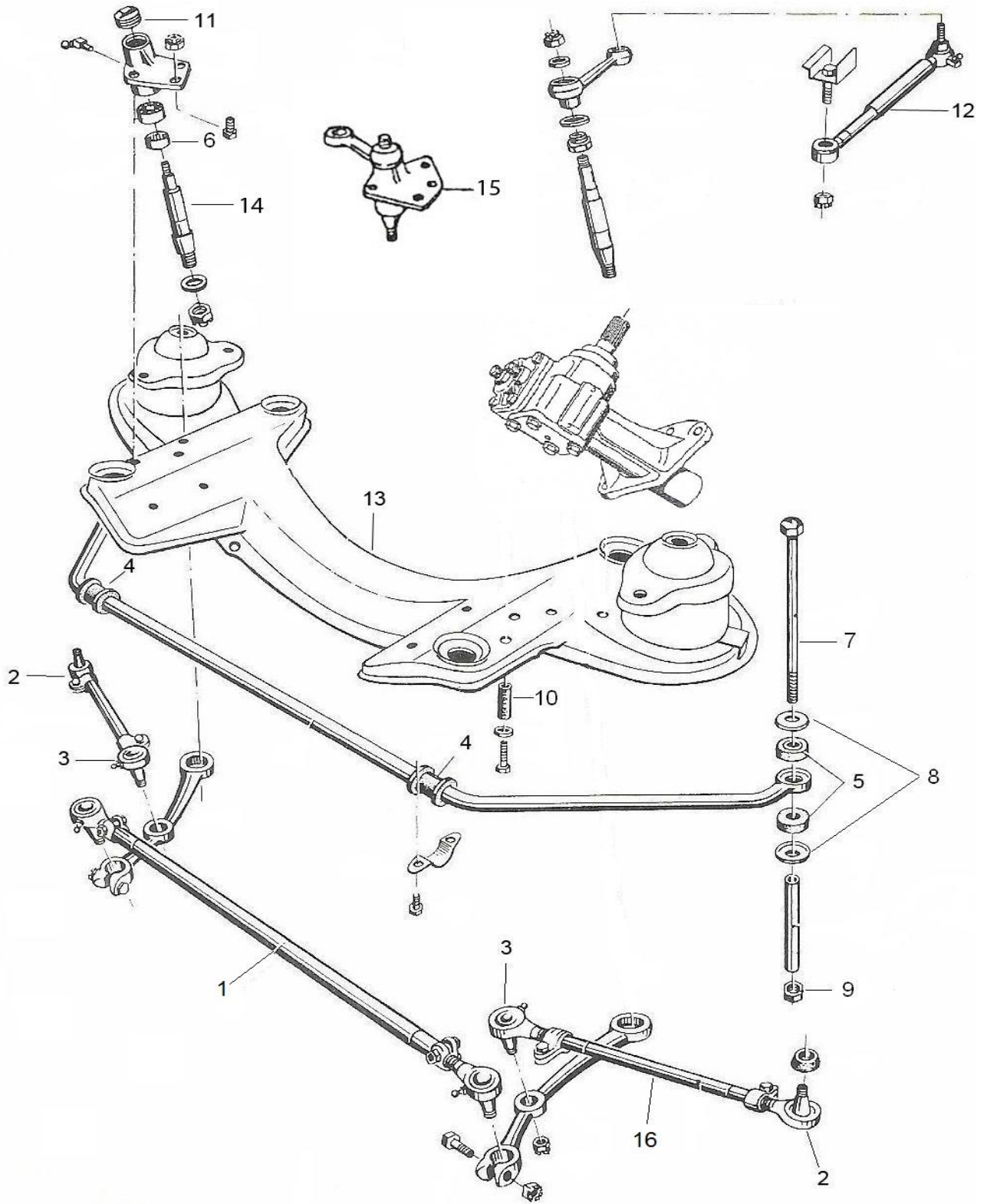


Steering

Plate Nr.	Part no (ADUS)	Description	Price w'out	List price €	Weight Kg
1/16	<a href="#">1051001</a>	<a href="#">Articular disc (Hardy-disc) on steering column</a>	12,61 €	15,00 €	0,08
2/16	<a href="#">1051101</a>	<a href="#">Seal</a>	1,68 €	2,00 €	0,00
3/16	1051102	Radial sealing ring 25*36*7	5,04 €	6,00 €	0,01
4/16	1051103	Radial sealing ring 22*32*6	5,04 €	6,00 €	0,01
5/16	1051104	Radial sealing ring 10*16*4	5,04 €	6,00 €	0,01
	1051002	Repair kit for the steering (1051101, 1051102, 1051103, 1051104)	15,97 €	19,00 €	0,02

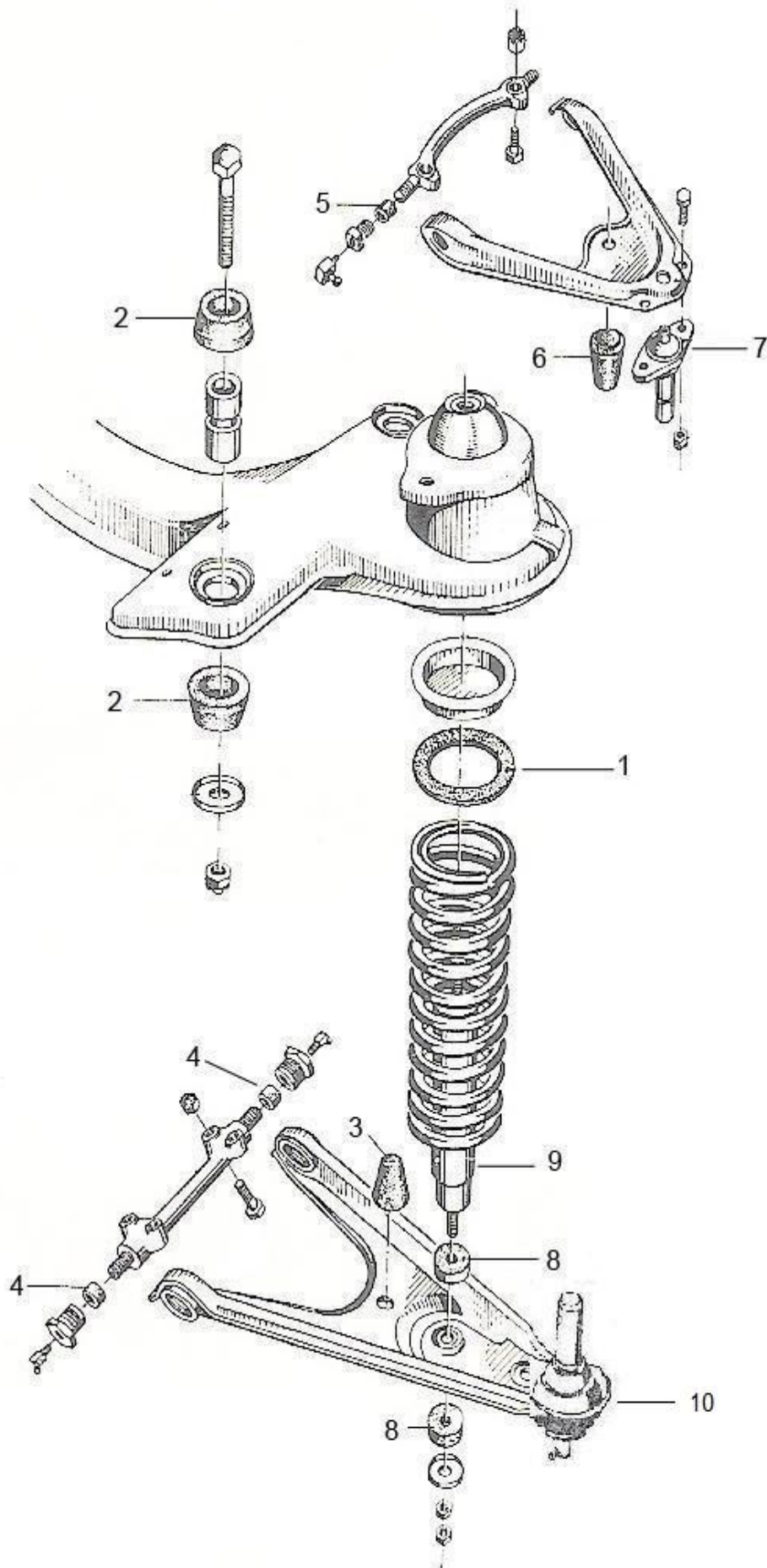
Plate 17.

Front axle



## Front axle

<b>Plate Nr.</b>	<b>Part no (ADUS)</b>	<b>Description</b>	<b>Price w`out</b>	<b>List price €</b>	<b>Weight Kg</b>
1/17	1051003	Tie rod center	66,39 €	79,00 €	1,35
2/17	1051004	Ball joint, right hand thread	11,76 €	14,00 €	0,30
3/17	1051005	Ball joint, left hand thread	11,76 €	14,00 €	0,30
4/17	1051009	Rubber bearing stabilizer	6,72 €	8,00 €	0,02
5/17	1051010	Rubber ring for spacer tube	1,68 €	2,00 €	0,01
6/17	1051011	Needle Bearing HK2216 from 743 013 cars	8,40 €	10,00 €	0,02
7/17	1051012	Screw stabilizer side	8,40 €	10,00 €	0,08
8/17	1051013	Plate 30*8,4	0,84 €	1,00 €	0,01
9/17	1051214	Nut M 8 DIN 937	0,84 €	1,00 €	0,00
9/17	1051014	Castellated nut M 8 DIN 937	0,84 €	1,00 €	0,00
10/17	1051015	Rubber hose 67*30	0,84 €	1,00 €	0,02
	1051016	Stabilizer kit (1051010, 1051012, 1051013, 1051214)	23,11 €	27,50 €	0,44
11/17	1051017	Nut (steering arm bolts)	8,40 €	10,00 €	0,04
12/17	1051018	Steering damper, in exchange	92,44 €	110,00 €	0,68
13/17	1051019	front axle	58,82 €	70,00 €	13,50
14/17	1051021	Drop arm bolts right	84,03 €	100,00 €	0,38
15/17	1051022	Drop arm bracket	151,26 €	180,00 €	2,62
16/17	1051024	Tie rod, outer, complete	26,89 €	32,00 €	0,95
	1051023	Front axle complete (without steering gear) in exchange	1 849 €	2 200 €	

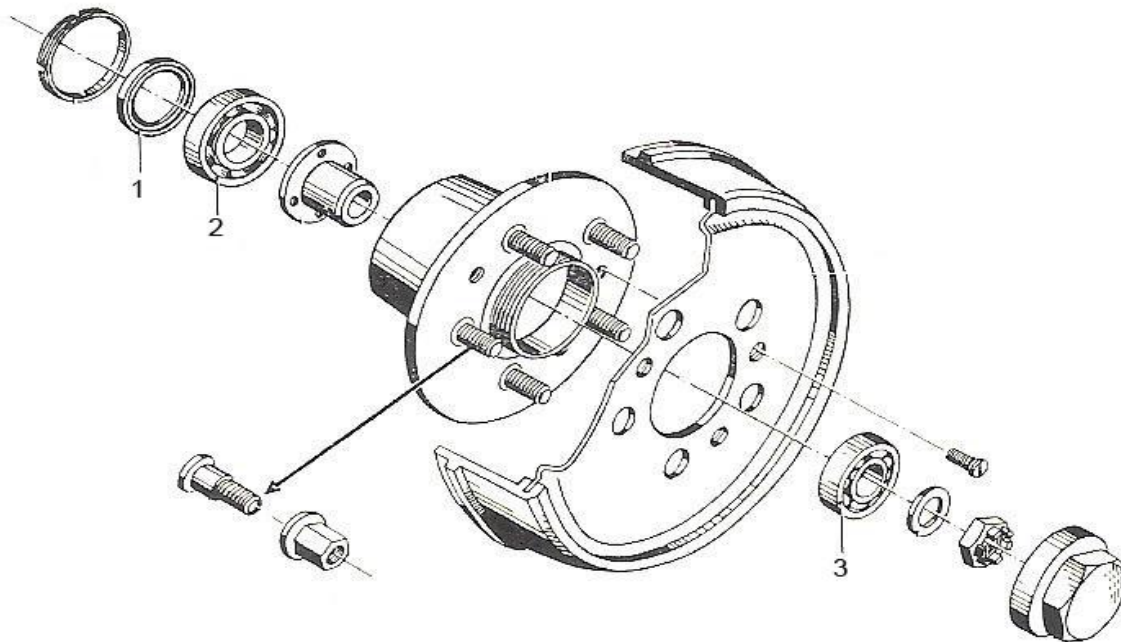


## Front axle

Plate Nr.	Part no (ADUS)	Description	Price w`out	List price €	Weight Kg
1/18	1052001	Rubber ring	2,52 €	3,00 €	0,02
2/18	1052002	Rubber buffer	7,98 €	9,50 €	0,06
3/18	1052004	Gummipuffer	8,40 €	10,00 €	0,08
4/18	1052005	Rubber ring	2,52 €	3,00 €	0,01
5/18	1052006	Rubber ring	2,10 €	2,50 €	0,00
6/18	1052007	Rubber buffer	6,72 €	8,00 €	0,03
7/18	1052008	Ball joint, upper	63,03 €	75,00 €	0,34
8/18	1052010	Rubber bearings	2,52 €	3,00 €	0,01
9/18	<a href="#">1052011</a>	<a href="#">Shock absorber front</a>	42,02 €	50,00 €	1,20
10/18	1052009	Ball joint, lower	67,23 €	80,00 €	0,52
	<a href="#">1052020</a>	<a href="#">Rubber parts front 42 pieces (1051009, 1051010, 1051015, 1052001, 1052002, 1052004, 1052005, 1052006, 1052007, 1052010)</a>	159,66 €	190,00 €	1,02
	1052021	Ball joint welded into lower wishbone in exchange,	92,44 €	110,00 €	

Plate 19.

Front axle



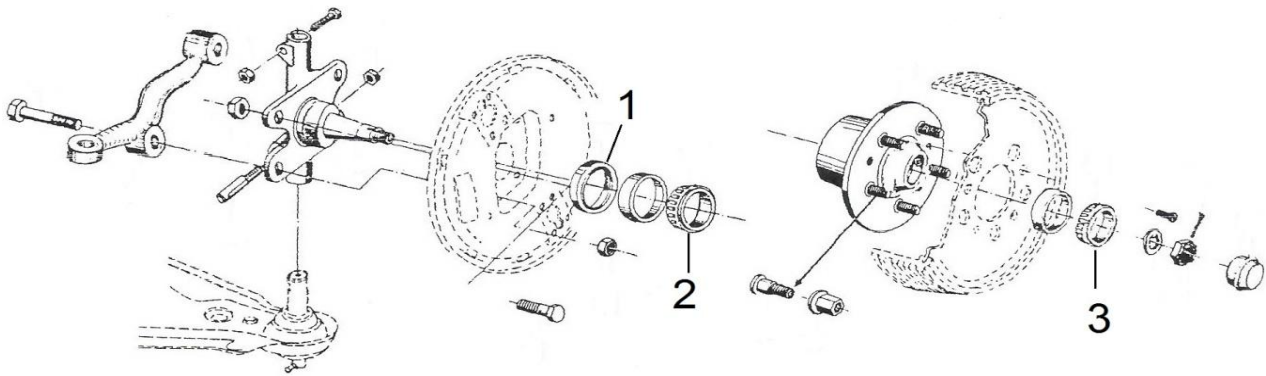
## Front axle

Plate Nr.	Part no (ADUS)	Description	Price w`out	List price €	Weight Kg
1/19	1052012	Radial sealing ring 45*62*10	7,56 €	9,00 €	0,02
2/19	1052013	Ring-groove bearings 6306	10,92 €	13,00 €	0,32
3/19	1052014	Ring-groove bearings 6304	8,40 €	10,00 €	0,14
	1052018	Front axle bearing kit (1052012, 1052013, 1052014) including cas	30,25 €	36,00 €	0,54

bis Wagen Nr.: Limousine, TS 1192801; Combi 323842; Coupé 369632

**Plate 20.**

**Front axle**

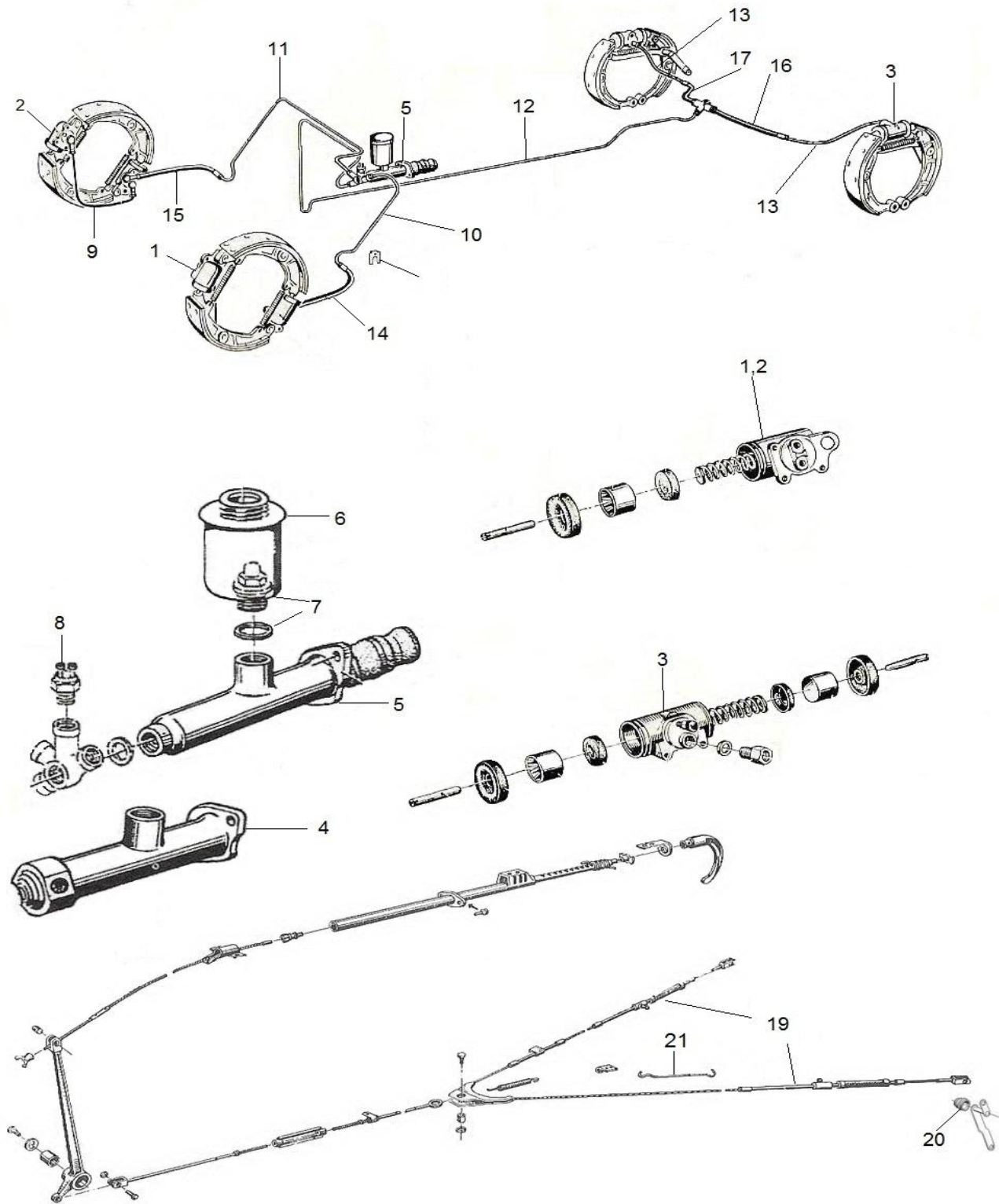


**Front axle**

<b>Plate Nr.</b>	<b>Part no (ADUS)</b>	<b>Description</b>	<b>Price w`out</b>	<b>List price €</b>	<b>Weight Kg</b>
1/20	1052015	Radial sealing ring 42*55*7	7,56 €	9,00 €	0,01
2/20	1052016	Bearing KL44619	12,61 €	15,00 €	0,13
3/20	1052017	Bearing KLM11749	11,76 €	14,00 €	0,09
	1052019	Front axle bearing kit (1052016, 1052017, 1052018) including cas	33,61 €	40,00 €	0,24

ab Wagen Nr.: Limousine, TS 1192802; Combi 323843; Coupé 369633





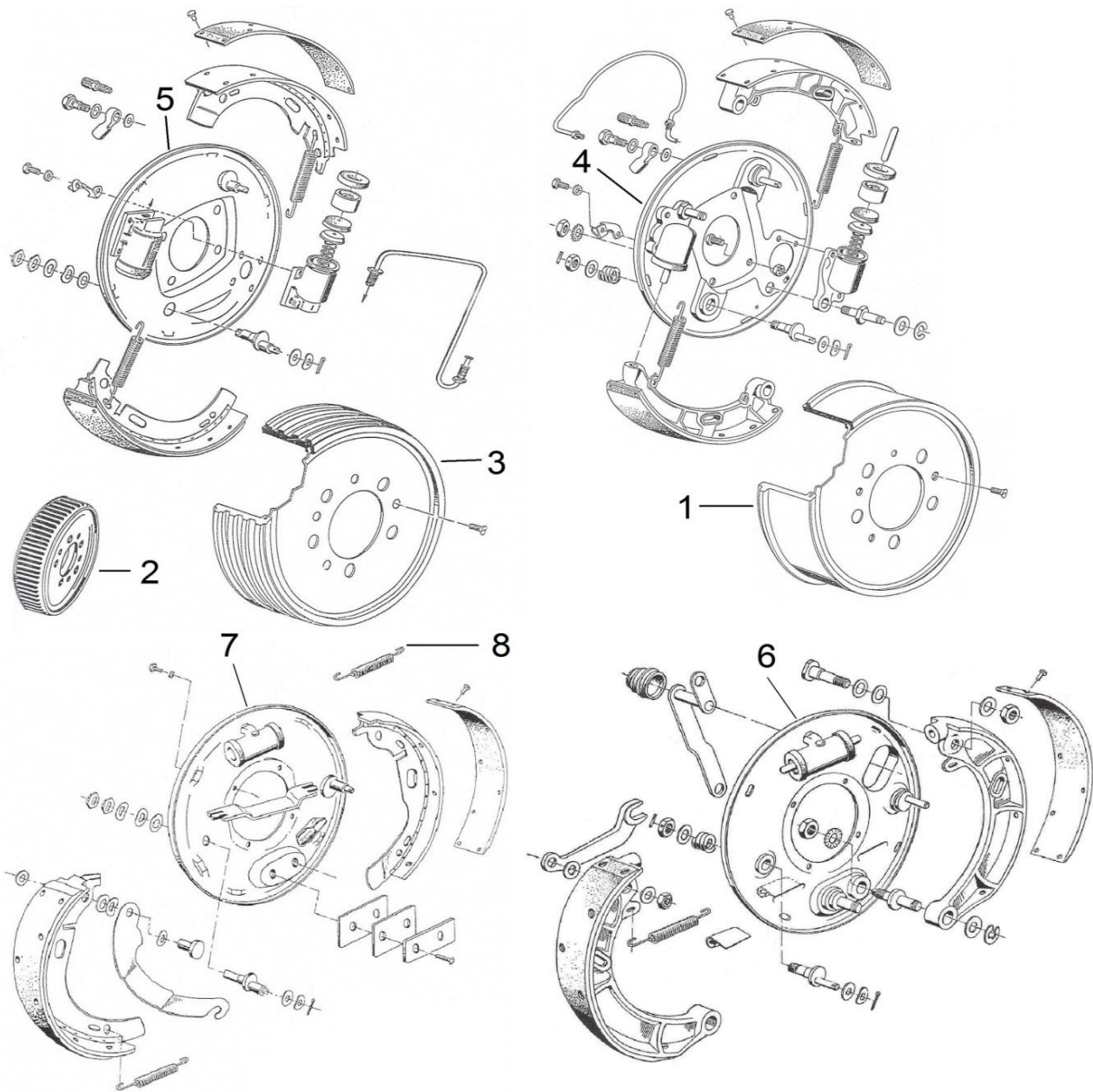
## Brake

Plate Nr.	Part no (ADUS)	Description	Price w'out	List price €	Weight Kg
1/21	<a href="#">1061005</a>	<a href="#">Wheel cylinder front left 22.2 mm Ø for steel brake shoe in exchange</a>	115,97 €	138,00 €	0,74
2/21	<a href="#">1061006</a>	<a href="#">Wheel cylinder front right 22.2 mmØ for steel brake shoe in exchange</a>	115,97 €	138,00 €	0,74
1/21	<a href="#">1061007</a>	<a href="#">Wheel cylinder front left 25.4 mmØ for steel brake shoe in exchange</a>	115,97 €	138,00 €	0,76
2/21	<a href="#">1061008</a>	<a href="#">Wheel cylinder, front right, 25.4 mm Ø, steel brake shoe in exchange</a>	115,97 €	138,00 €	0,76
1/21	<a href="#">1061009</a>	<a href="#">Wheel cylinder front left 25.4 mmØ alu brake shoe in exchange</a>	57,98 €	69,00 €	0,46
2/21	<a href="#">1061010</a>	<a href="#">Wheel cylinder front right 25.4 mm Ø alu brake shoe in exchange</a>	57,98 €	69,00 €	0,46
1/21	<a href="#">1061011</a>	<a href="#">Wheel cylinder front left 28.57 mmØ for Alu brake shoe in exchange</a>	57,98 €	69,00 €	0,52
2/21	<a href="#">1061012</a>	<a href="#">Wheel cylinder front right 28.57 mmØ for alu brake shoe in exchange</a>	57,98 €	69,00 €	0,52
3/21	<a href="#">1062003</a>	<a href="#">Wheel cylinder rear 20.64 mmØ for steel brake shoe in exchange</a>	66,39 €	79,00 €	0,36
3/21	<a href="#">1062004</a>	<a href="#">Wheel cylinder rear 22,2 mmØ for steel brake shoe in exchange</a>	66,39 €	79,00 €	0,36
3/21	<a href="#">1062005</a>	<a href="#">Wheel cylinder rear 22,2 mmØ for alu brake shoe in exchange</a>	66,39 €	79,00 €	
3/21	<a href="#">1062006</a>	<a href="#">Wheel cylinder rear 25,4 mmØ for alu brake shoe in exchange</a>	66,39 €	79,00 €	0,38
4/21	<a href="#">1064001</a>	<a href="#">Brake master cylinder 22,2 mmØ 30 Hub in exchange</a>	83,19 €	99,00 €	0,84
4/21	<a href="#">1064002</a>	<a href="#">Brake master cylinder 25,4 mmØ 36 Hub in exchange</a>	83,19 €	99,00 €	0,96
5/21	<a href="#">1064003</a>	<a href="#">Brake master cylinder 25,4 mmØ 36 Hub in exchange</a>	83,19 €	99,00 €	
6/21	1064004	Aluminum reservoir without lid	33,61 €	40,00 €	0,03
	1064005	Reservoir lid	16,81 €	20,00 €	
6/21	1064006	Plastic reservoir with lid	16,81 €	20,00 €	0,04
7/21	1064007	Screw-in fittings with sealing ring	16,81 €	20,00 €	0,02
8/21	1064208	Brake light switch	10,92 €	13,00 €	0,04
	<a href="#">1063001</a>	<a href="#">Brake pipe set Ø5 mm</a>	37,82 €	45,00 €	0,78
	<a href="#">1063002</a>	<a href="#">Brake pipe set Ø6 mm</a>	37,82 €	45,00 €	0,96
9/21	1063003	Brake pipe front 370mm inside base plate Ø5mm	8,40 €	10,00 €	0,04
9/21	1063030	Brake pipe front 370mm outside base plate Ø5mm	8,40 €	10,00 €	0,04
10/21	1063004	Brake pipe front left 460mm Ø5	8,40 €	10,00 €	0,06
11/21	1063005	Brake pipe front right 1030mm Ø5	10,08 €	12,00 €	0,12
12/21	1063006	Brake pipe center 3100mm Ø5	11,76 €	14,00 €	0,36
13/21	1063007	Brake pipe rear right or left 440mm Ø5	8,40 €	10,00 €	0,08
10/21	1063008	Brake pipe front left 460 mm Ø6	8,40 €	10,00 €	0,08
11/21	1063009	Brake pipe front right 1030mm Ø6	10,08 €	12,00 €	0,16
12/21	1063010	Brake pipe center 3100mm Ø6	11,76 €	14,00 €	0,46
13/21	1063011	Brake pipe rear right or left 440 mm Ø6	8,40 €	10,00 €	0,08
	<a href="#">1063020</a>	<a href="#">Brake hose, set Ø5 mm</a>	45,38 €	54,00 €	0,40
	<a href="#">1063021</a>	<a href="#">Brake hose, set Ø6 mm</a>	45,38 €	54,00 €	0,42
14/21	1063022	Brake hose front left 470mm Ø5	12,61 €	15,00 €	0,12
15/21	1063023	Brake hose front right 470mm Ø5	12,61 €	15,00 €	0,12
16/21	1063024	Brake hose rear left 270mm Ø5	12,61 €	15,00 €	0,06

Plate Nr.	Part no (ADUS)	Description	Price w`out	List price €	Weight Kg
17/21	1063025	Brake hose rear right 410mm Ø5	12,61 €	15,00 €	0,08
14/21	1063026	Brake hose front left 470mm Ø6	12,61 €	15,00 €	0,12
15/21	1063027	Brake hose front right 470mm Ø6	12,61 €	15,00 €	0,12
16/21	1063028	Brake hose rear left 270mm Ø6	12,61 €	15,00 €	0,08
17/21	1063029	Brake hose rear right 410mm Ø6	12,61 €	15,00 €	0,10
18/21	1065001	Brake cable two-piece	58,82 €	70,00 €	0,56
19/21	<a href="#">1065002</a>	Brake cable one-piece	50,42 €	60,00 €	0,62
20/21	1065003	Rubber bellow	10,92 €	13,00 €	0,02
21/21	1065004	Clip brake cable	10,92 €	13,00 €	

**Plate 22.**

**Brake**

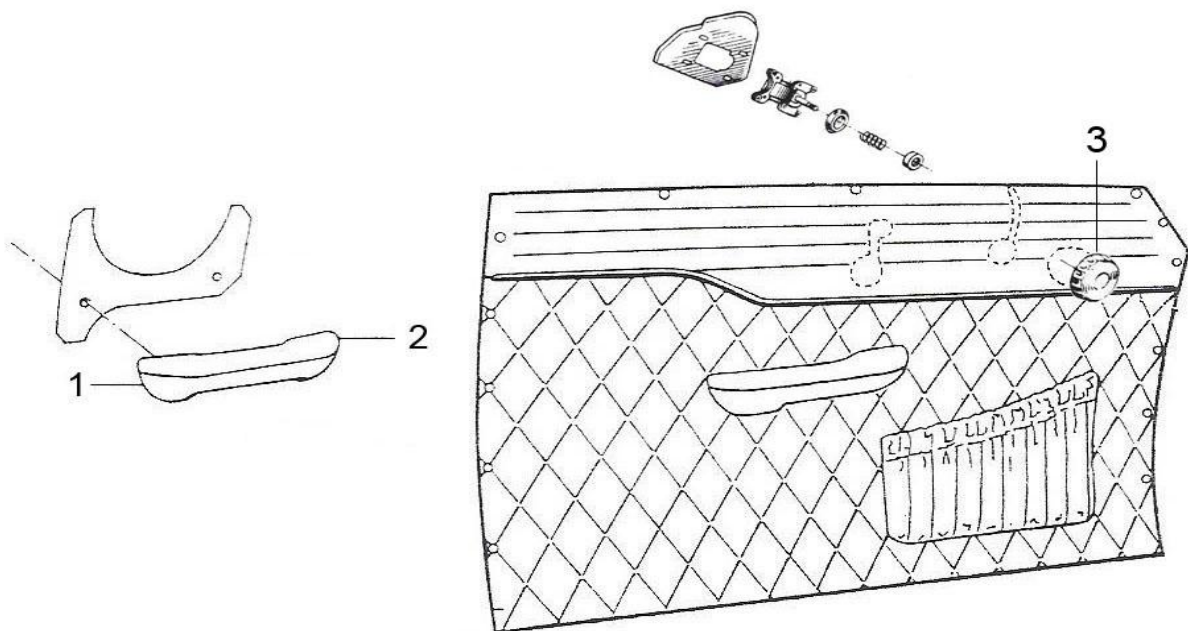


## Brake

Plate Nr.	Part no (ADUS)	Description	Price w'out	List price €	Weight Kg
1/22	1061020	Drum brakes with aluminum brake shoes set of 4 pieces, in exchange	218,49 €	260,00 €	18,16
2/22	1061021	Drum brakes ribbed with aluminum brake shoes set of 4 pieces, in exchange	218,49 €	260,00 €	20,88
2/22	1061022	Drum brakes ribbed with steel brake shoes set of 4 pieces, in exchange	218,49 €	260,00 €	24,16
3/22	1061023	Drum brakes with longitudinal grooves with steel brake shoes set of 4 pieces, in exchange	218,49 €	260,00 €	24,84
4/22	1061024	Brake base plate front, for aluminum brake shoes with all excenters and bolts (as a whole), in exchange	92,44 €	110,00 €	1,96
5/22	1061025	Brake base plate front, for steel brake shoes with all excenters and bolts (as a whole), in exchange	92,44 €	110,00 €	
6/22	1061026	Brake base plate rear, for aluminum brake shoes with all excenters and bolts (as a whole), in exchange	92,44 €	110,00 €	2,22
7/22	1061027	Brake base plate rear, for steel brake shoes with all excenters and bolts (as a whole), in exchange	92,44 €	110,00 €	2,22
8/22	1061028	Spring brake shoe	10,92 €	13,00 €	

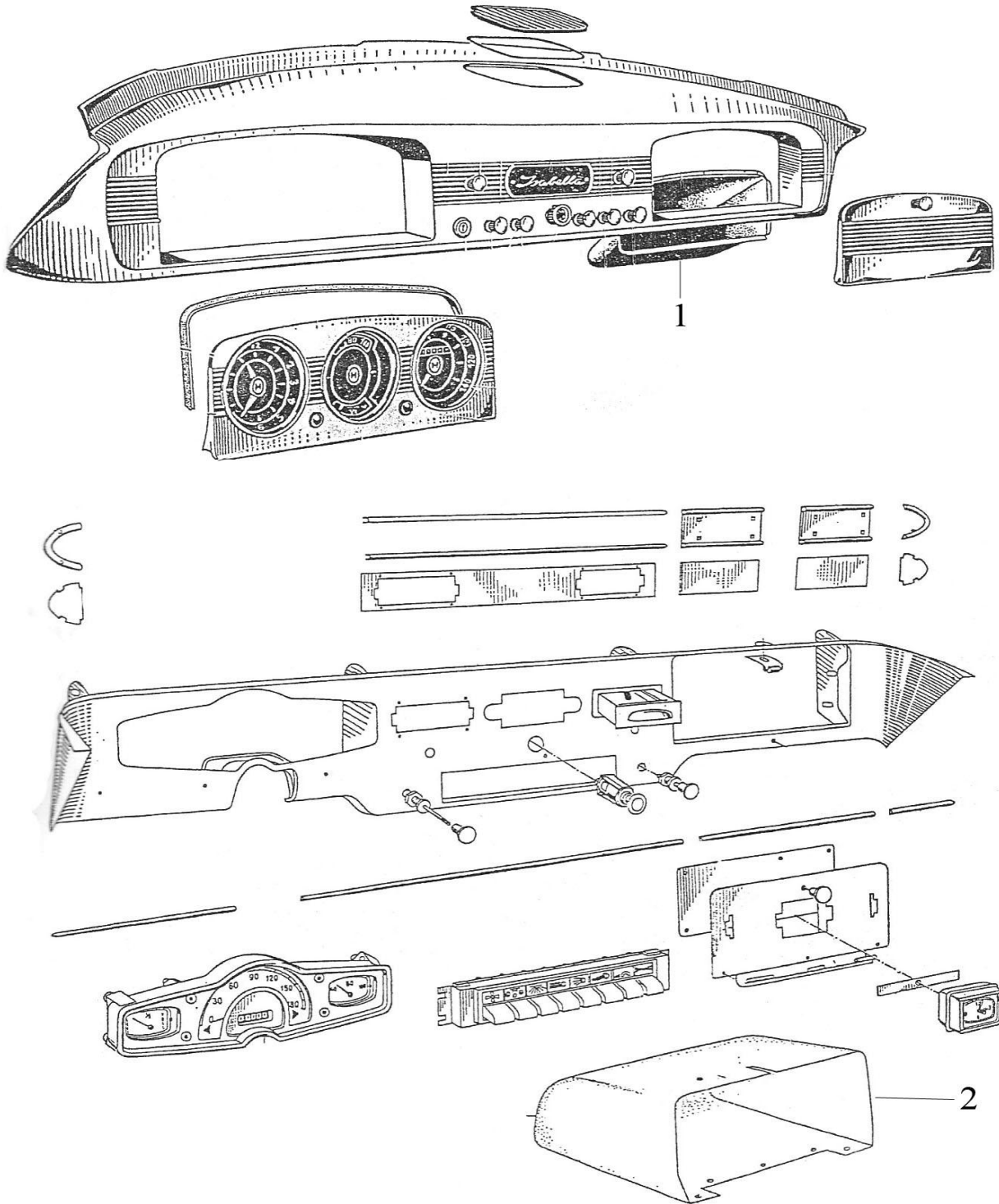
## Bild 23.

## Armrest



## Armrest

Plate Nr.	Part no (ADUS)	Description	Price w'out	List price €	Weight Kg
1/23	<a href="#">1071004</a>	<a href="#">Armrests housing</a>	30,25 €	36,00 €	0,18
1/23	1071005	<a href="#">Armrests housing black</a>	30,25 €	36,00 €	0,18
2/23	1071008	Arm rest insert with foam material	8,40 €	10,00 €	0,32
3/23	<a href="#">1071009</a>	<a href="#">Handwheel for windows ivory</a>	21,85 €	26,00 €	0,02
3/23	<a href="#">1071011</a>	<a href="#">Handwheel for windows black</a>	21,85 €	26,00 €	1,02

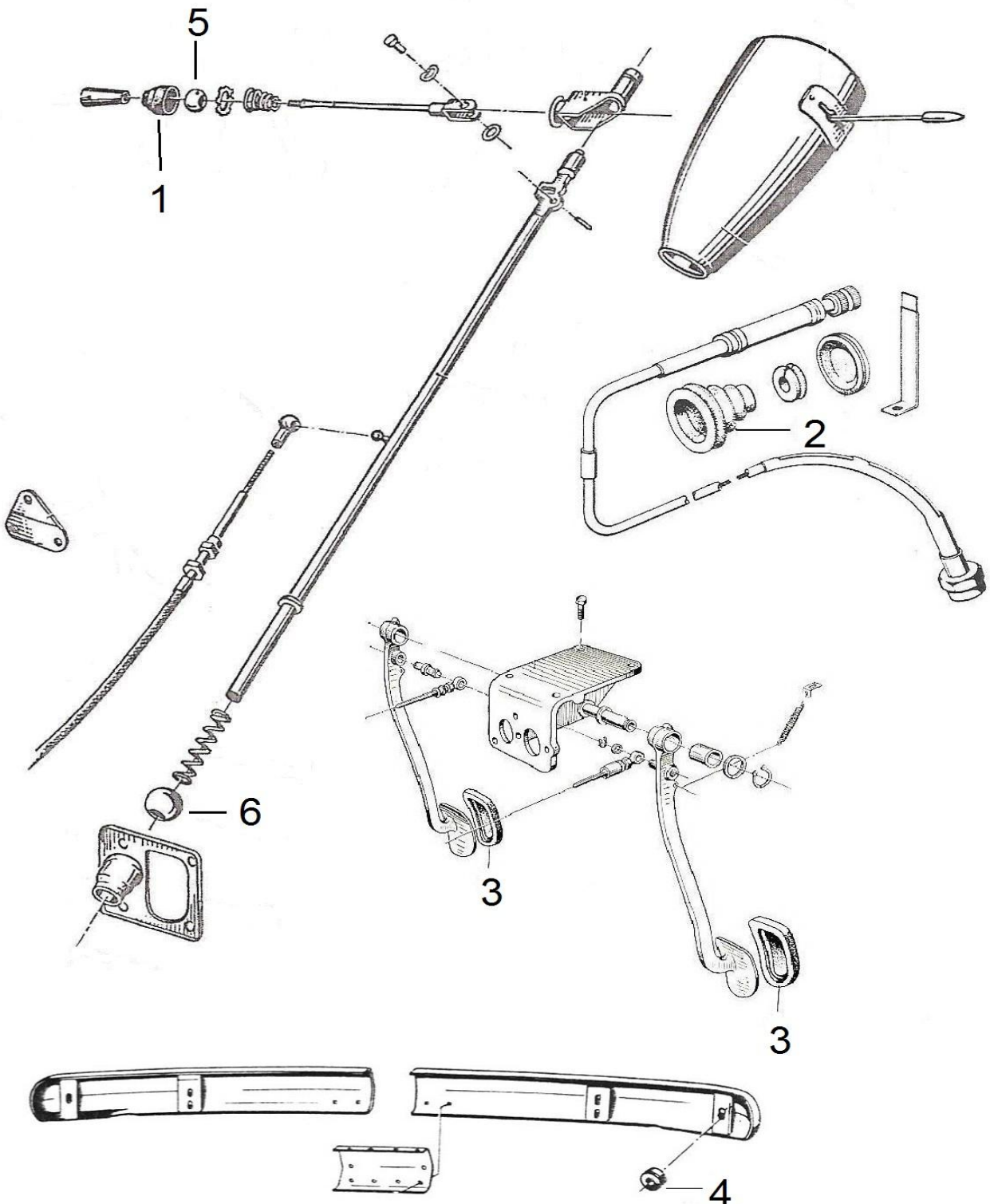


# Glovebox

Plate Nr.	Part no (ADUS)	Description	Price w`out	List price €	Weight Kg
1/24	<a href="#">1071007</a>	<a href="#">Glovebox sedan</a>	30,25 €	36,00 €	0,32
2/24	<a href="#">1071307</a>	<a href="#">Glovebox Coupe</a>	30,25 €	36,00 €	0,34

## Plate 25.

## Rubber parts

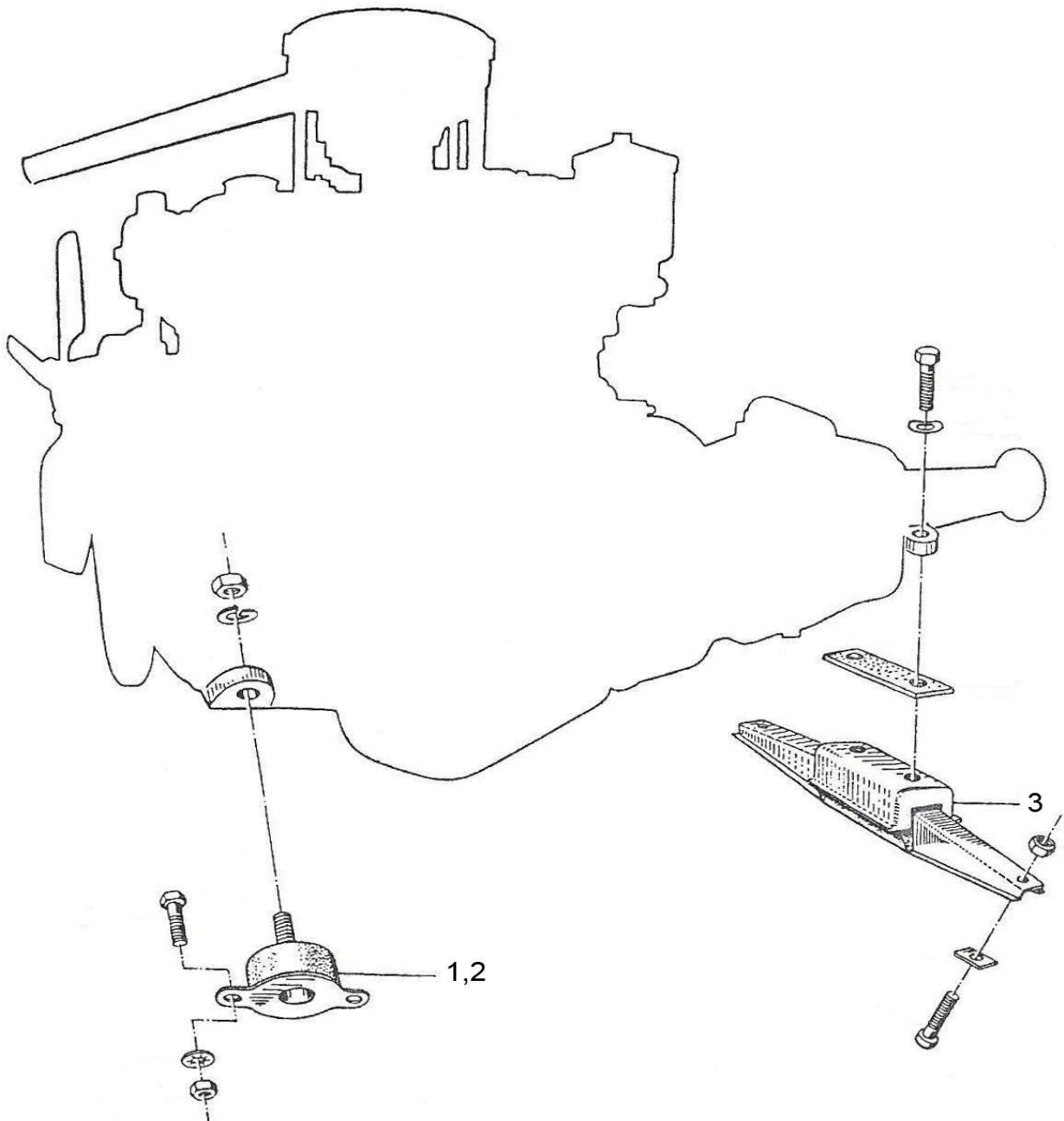


## Rubber parts

Plate Nr.	Part no (ADUS)	Description	Price w`out	List price €	Weight Kg
1/25	1071001	Bellows for steering wheel switches	10,08 €	12,00 €	0,00
2/25	<a href="#">1071002</a>	<a href="#">Bellows for speedometer drive shaft through the front wall</a>	10,08 €	12,00 €	0,02
3/25	<a href="#">1071003</a>	<a href="#">Pedal rubber</a>	10,08 €	12,00 €	0,02
4/25	<a href="#">1071006</a>	<a href="#">Rubber buffer between bumper and fender</a>	11,76 €	14,00 €	0,02
5/25	1071010	Bearing bush	8,40 €	10,00 €	0,02
6/25	1071012	Bearing bush bearing plate to gear change tube	7,56 €	9,00 €	

## Plate 26.

## Engine mounts

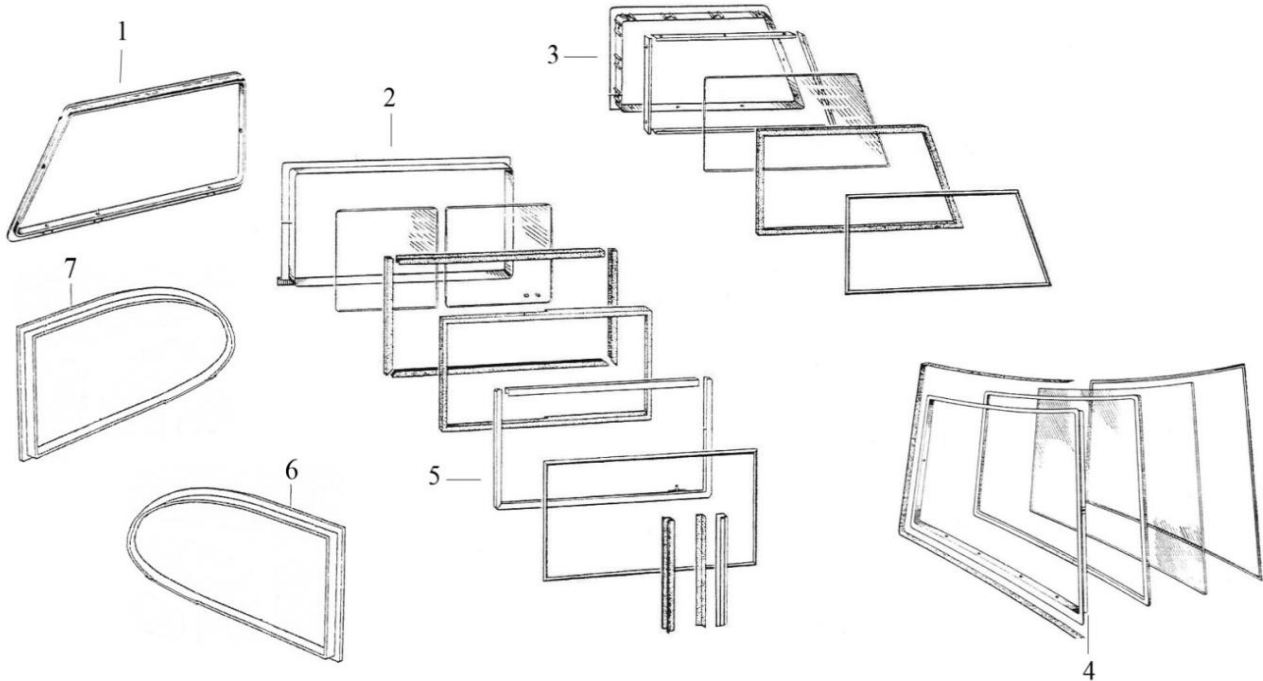


## Engine monts

Plate Nr.	Part no (ADUS)	Description	Price w`out	List price €	Gewicht Kg
1/26	<a href="#">1081001</a>	<a href="#">Engine mount Limousine 36 mm</a>	17,65 €	21,00 €	0,30
2/26	<a href="#">1081301</a>	<a href="#">Engine mount Coupe 28 mm,</a>	17,65 €	21,00 €	0,26
3/26	<a href="#">1081002</a>	<a href="#">Gear holder in exchange</a>	100,84 €	120,00 €	1,20

## Plate 27.

## Window frames



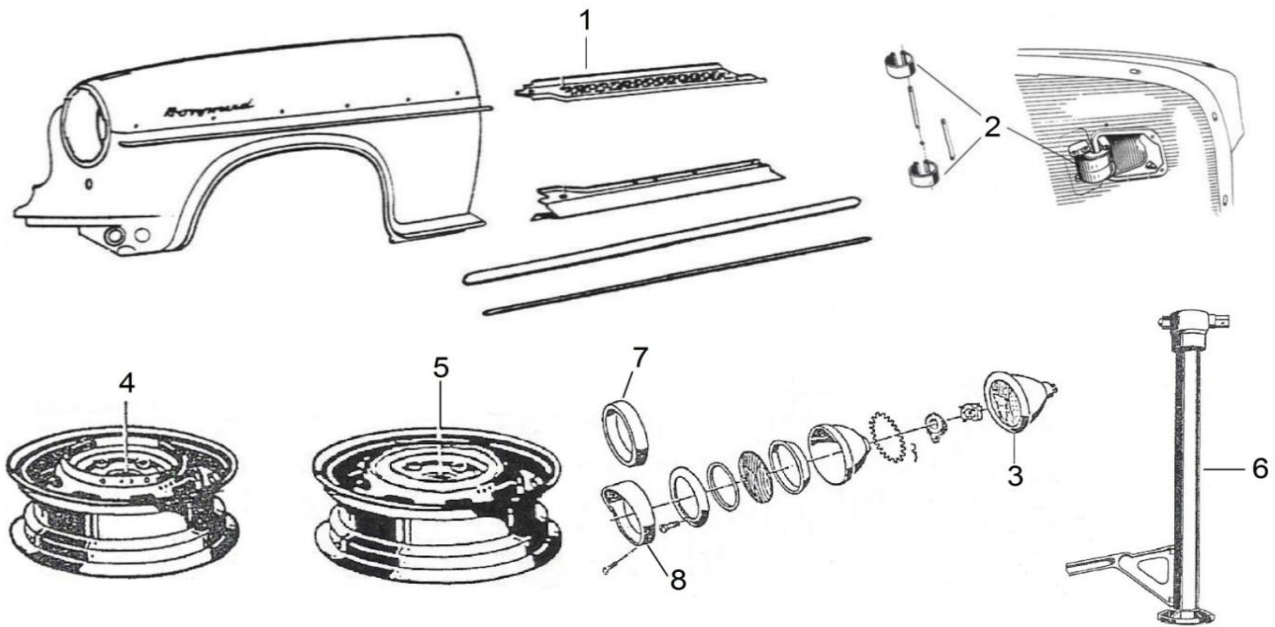
## Window frames

Plate Nr.	Part no (ADUS)	Description	Price w`out	List price €	Gewicht Kg
1/27	<a href="#">1072001</a>	<a href="#">Front window frames inside brown fieberglas, left door Sedan / Wagon</a>	75,63 €	90,00 €	0,30
1/27	<a href="#">1072002</a>	<a href="#">Front window frames inside brown fiberglass, right door Sedan/Wagon</a>	75,63 €	90,00 €	0,30
2/27	<a href="#">1072401</a>	<a href="#">Fiberglass window frames, side windows, center left (Combi)</a>	75,63 €	90,00 €	0,28
3/27	<a href="#">1072403</a>	<a href="#">Fiberglass window frames, side windows, rear, left (Combi)</a>	75,63 €	90,00 €	0,38
3/27	<a href="#">1072404</a>	<a href="#">Fiberglass window frames, side windows, rear, right (Combi)</a>	75,63 €	90,00 €	0,38
4/27	<a href="#">1072405</a>	<a href="#">Fiberglass window frames, rear window (Combi)</a>	75,63 €	90,00 €	0,34
5/27	<a href="#">1072406</a>	<a href="#">Middle window frame left, made of aluminum w. gasket (Combi)</a>	88,24 €	105,00 €	
5/27	<a href="#">1072407</a>	<a href="#">Middle window frame right, made of aluminum w. gasket (Combi)</a>	88,24 €	105,00 €	
6/27	<a href="#">1072003</a>	<a href="#">Fiberglass side window frames inside, left saloon (on request)</a>	75,63 €	90,00 €	
7/27	<a href="#">1072004</a>	<a href="#">Fiberglass side window frames inside, right saloon (on request)</a>	75,63 €	90,00 €	



Plate 28.

Body

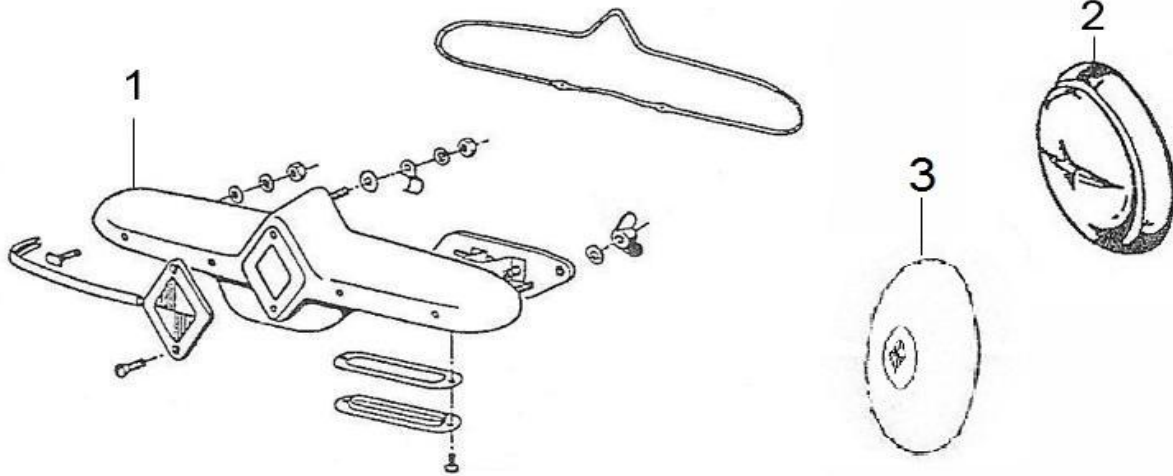


Body

Plate Nr.	Part no (ADUS)	Description	Price w'out	List price €	Gewicht Kg
1/28	<a href="#">1081003</a>	<a href="#">Aluminum door sills, left or right</a>	75,63 €	90,00 €	0,62
2/28	<a href="#">1081004</a>	<a href="#">Gas cap spring</a>	6,72 €	8,00 €	
3/28	1082001	Headlamp Bosch 6V	126,05 €	150,00 €	1,00
3/28	1082002	Headlamp Hella 6V	117,65 €	140,00 €	0,82
3/28	1082003	Headlamp Bosch 12V H4	134,45 €	160,00 €	1,10
3/28	1082004	Headlamp Hella 12V H4	126,05 €	150,00 €	
4/28	1083001	4.5 x 13 wheels with retaining ring Kronprinz or Lemmerz	42,02 €	50,00 €	6,24
5/28	1083002	4,5 x 13 wheels Kronprinz or Lemmerz	42,02 €	50,00 €	5,76
6/28	1084001	Insertion jack less crank Bilstein	84,03 €	100,00 €	2,48
7/28	1082005	Outer ring Hella	100,84 €	120,00 €	
7/28	1082006	Outer ring Bosch	100,84 €	120,00 €	
8/28	1082007	Outer ring Hella hooded	117,65 €	140,00 €	
8/28	1082008	Outer ring Bosch hooded	117,65 €	140,00 €	
	1073001	Carpet set	411,76 €	490,00 €	

**Plate 29.**

**Chrome parts**



**Chrome parts**

Plat e Nr.	Part no (ADUS)	Description	Price w`out	List price €	Gewicht Kg
1/29	1089002	Hubcaps Isabella chrome	67,23 €	80,00 €	0,20
2/29	1089003	License plate lights (trunk handle) newly chromed	100,84 €	120,00 €	0,30
3/29	1089001	Isabella hubcaps, stainless	63,03 €	75,00 €	1,10

**Air regulator**

Plat e Nr.	Part no (ADUS)	Description	Price w`out	List price €	Gewicht Kg
	1071308	Air regulator Coupe	33,61 €	40,00 €	0,16

**Crown nut**

Plat e Nr.	Part no (ADUS)	Description	Price w`out	List price €	Gewicht Kg
	1091008	crown nut M 8	0,84 €	1,00 €	0,01
	1091010	crown nut M 10	1,01 €	1,20 €	0,01
	1091011	crown nut M 10x1	1,68 €	2,00 €	
	1091012	crown nut M 12x1,5	1,26 €	1,50 €	0,02
	1091014	crown nut M 14x1,5	1,26 €	1,50 €	0,02
	1091016	crown nut M 16x1,5	1,68 €	2,00 €	
	1091018	crown nut M 18x1,5	2,10 €	2,50 €	0,03
	1091020	crown nut M 20x1,5	2,10 €	2,50 €	0,03

Plat e Nr.	Part no (ADUS)	Description	Price w`out	List price €	Gewicht Kg
	1091001	Headlamp bulb Bilux 6 V	8,40 €	10,00 €	0,04